

PLUG PLUS DIN CONNECTOR INTO HIGHER NUMBERED SLOT ADJACENT TO BOARD UNDER TEST

PLUS_A
DIN96

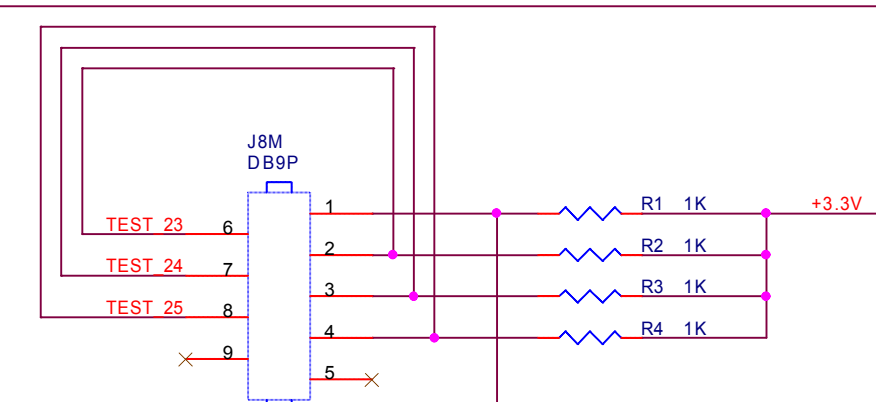
- A1 TEST 15
- A2 TEST 14
- A3 TEST 13
- A4 TEST 12
- A5 TEST 11
- A6 TEST 10
- A7 TEST 0F
- A8 TEST 0E
- A9 TEST 0D
- A10 TEST 0C
- A11 TEST 0B
- A12 TEST 0A
- A13 TEST 09
- A14 TEST 08
- A15 TEST 07
- A16 TEST 06
- A17 TEST 05
- A18 TEST 04
- A19 TEST 03
- A20 JANUS A20
- A21 JANUS A21
- A22 TEST 02
- A23 TEST 01
- A24 TEST 00
- A25
- A26
- A27
- A28
- A29 TEST 19
- A30 +3.3V
- A31
- A32

PLUS_B
DIN96

- B1
- B2
- B3
- B4
- B5
- B6
- B7
- B8
- B9
- B10
- B11
- B12
- B13
- B14
- B15
- B16
- B17
- B18
- B19
- B20
- B21
- B22
- B23
- B24
- B25
- B26
- B27
- B28
- B29
- B30
- B31
- B32

PLUS_C
DIN96

- C1 TEST 15
- C2 TEST 14
- C3 TEST 13
- C4 TEST 12
- C5 TEST 11
- C6 TEST 10
- C7 TEST 0F
- C8 TEST 0E
- C9 TEST 0D
- C10 TEST 0C
- C11 TEST 0B
- C12 TEST 0A
- C13 TEST 09
- C14 TEST 08
- C15 TEST 07
- C16 TEST 06
- C17 TEST 05
- C18 TEST 04
- C19 TEST 03
- C20 TEST 02
- C21 TEST 01
- C22 TEST 00
- C23
- C24
- C25
- C26
- C27
- C28
- C29 TEST 1C
- C30 +3.3V
- C31 TEST 1B
- C32



PLUG J8M INTO OZY J8 WHEN TESTING OZY
DO NOT USE J8M WHEN TESTING JANUS

J20F
DB25S

- 25
- 24
- 23
- 22
- 21
- 20
- 19
- 18
- 17
- 16
- 15
- 14
- 13
- 12
- 11
- 10
- 9
- 8
- 7
- 6 JANUS A29C29
- 5 JANUS A27C27
- 4 JANUS A21
- 3 JANUS A20
- 2
- 1 JANUS A31C31

DO NOT USE J20F WHEN TESTING OZY
PLUG J20F INTO J20M WHEN TESTING JANUS

MINUS_A
DIN96

- A1
- A2
- A3
- A4
- A5
- A6
- A7
- A8
- A9
- A10
- A11
- A12
- A13
- A14
- A15
- A16
- A17
- A18
- A19
- A20
- A21
- A22
- A23
- A24
- A25
- A26
- A27 TEST 1A
- A28
- A29
- A30
- A31 TEST 1E
- A32

MINUS_B
DIN96

- B1
- B2
- B3
- B4
- B5
- B6
- B7
- B8
- B9
- B10
- B11
- B12
- B13
- B14
- B15
- B16
- B17
- B18
- B19
- B20
- B21
- B22
- B23
- B24
- B25
- B26
- B27
- B28
- B29
- B30
- B31
- B32

MINUS_C
DIN96

- C1
- C2
- C3
- C4
- C5
- C6
- C7
- C8
- C9
- C10
- C11
- C12
- C13
- C14
- C15
- C16
- C17
- C18
- C19
- C20
- C21
- C22
- C23
- C24
- C25
- C26
- C27
- C28
- C29
- C30
- C31
- C32

J20M
DB25P

- 14 TEST 1F
- 15 TEST 22
- 16 TEST 20
- 17 TEST 21
- 18
- 19
- 20
- 21
- 22
- 23
- 24
- 25
- 1 TEST 1E
- 2 TEST 16
- 3 TEST 17
- 4 TEST 18
- 5 TEST 19
- 6 TEST 1A
- 7 TEST 1B
- 8 TEST 1C
- 9 TEST 1D
- 10
- 11
- 12
- 13

PLUG J20F INTO OZY J20 WHEN TESTING OZY
PLUG J20F INTO J20M WHEN TESTING JANUS

YOU CAN USE AMP 5650908-5 CONNECTORS AVAILABLE FROM Mouser (Mouser 571-5650908-5) BUT BE AWARE THAT THESE ARE REVERSE-NUMBERED. NUMBERS SHOW ARE OZY/JANUS/ATLAS NUMBERS

PLUG MINUS DIN CONNECTOR INTO LOWER NUMBERED SLOT ADJACENT TO BOARD UNDER TEST

Design Copyright 2007 Scott Cowling WA2DFI
All rights reserved.
Licensed under TAPR OHL <http://tapr.org/OHL>
Non Commercial

Title HPSDR: Janus/Ozy Loopback Cable For Atlas		
Size B	Document Number	Rev X1
Date: Wednesday, May 09, 2007	Sheet 3	of 4