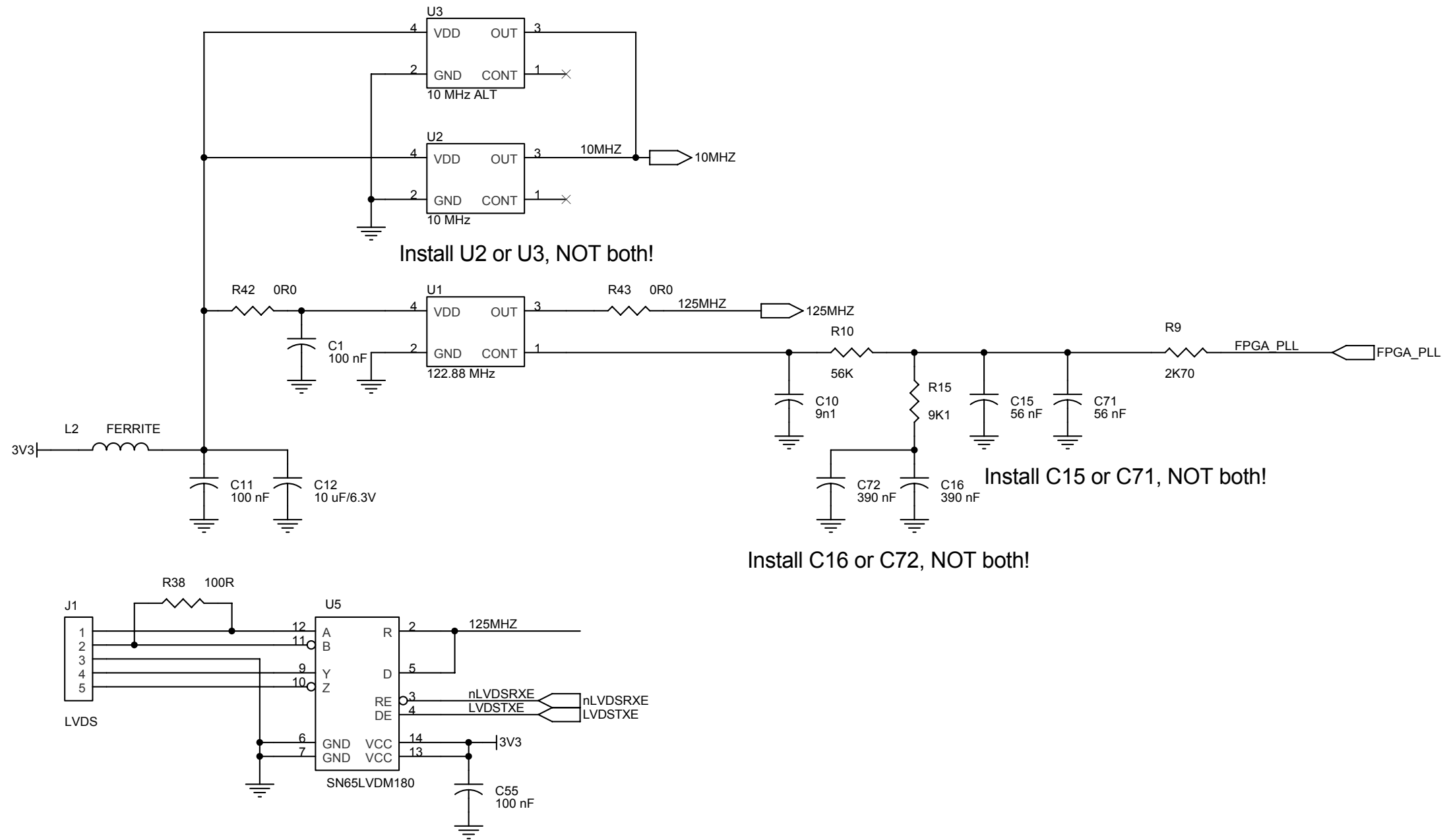


Rev B: Revised DAC Filter and PA values.

Rev A.1: Initial Release under OHL.

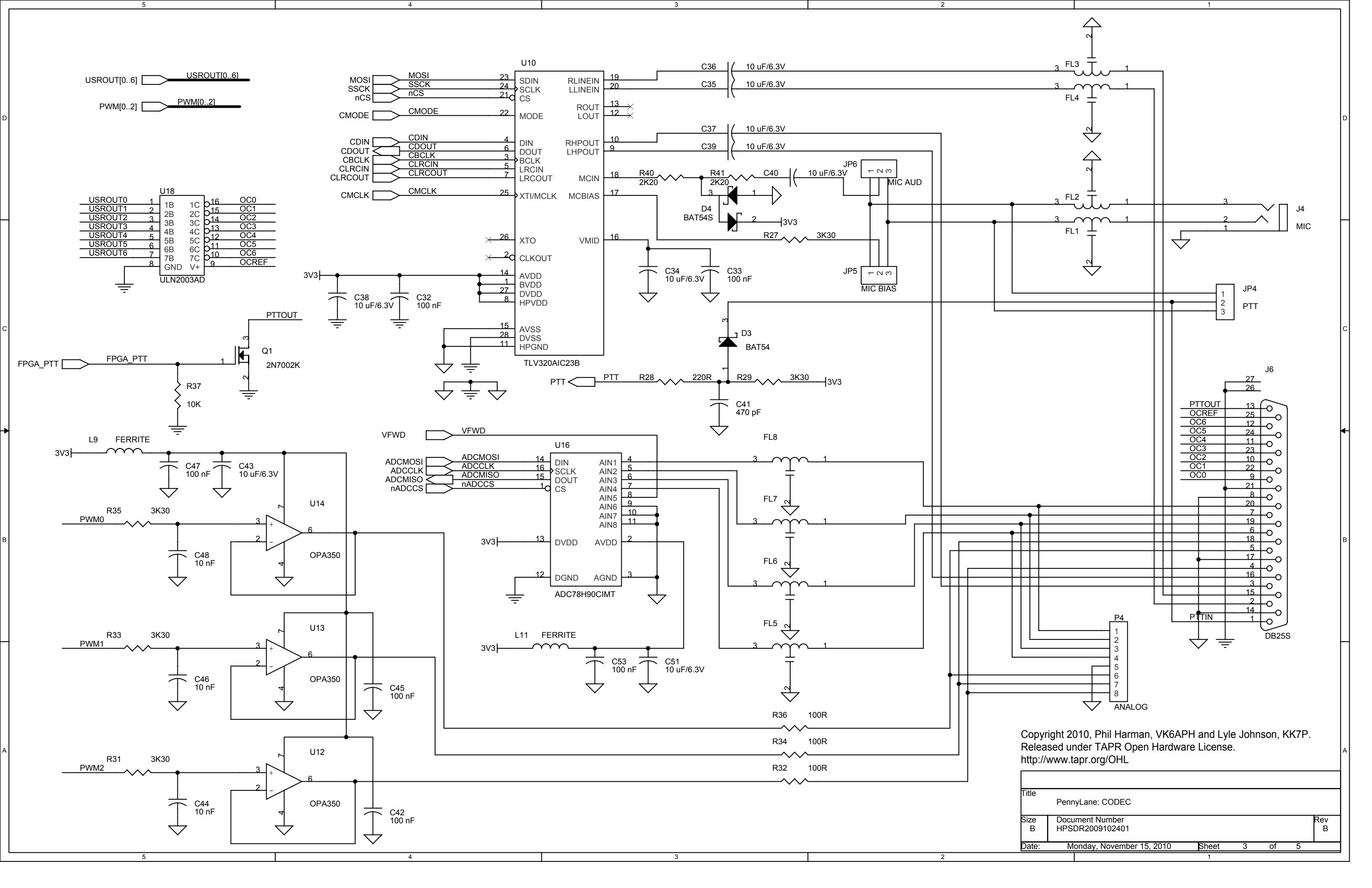
Copyright 2010, Phil Harman, VK6APH and Lyle Johnson, KK7P.
 Released under TAPR Open Hardware License.
<http://www.tapr.org/OHL>

Title		
PennyLane: TOP		
Size	Document Number	Rev
B	HPSDR2009102401	B
Date:	Tuesday, September 21, 2010	Sheet 1 of 5



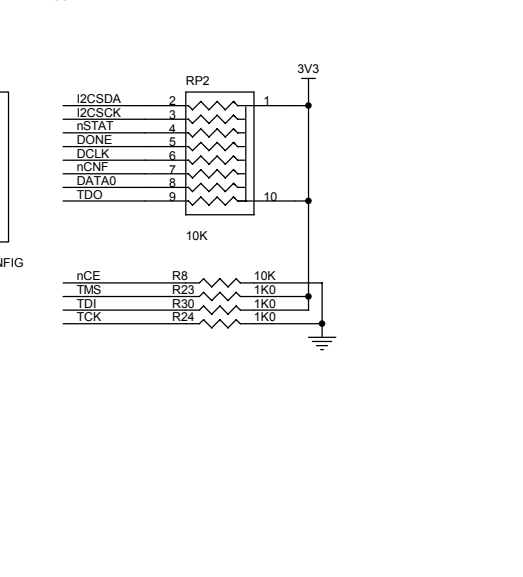
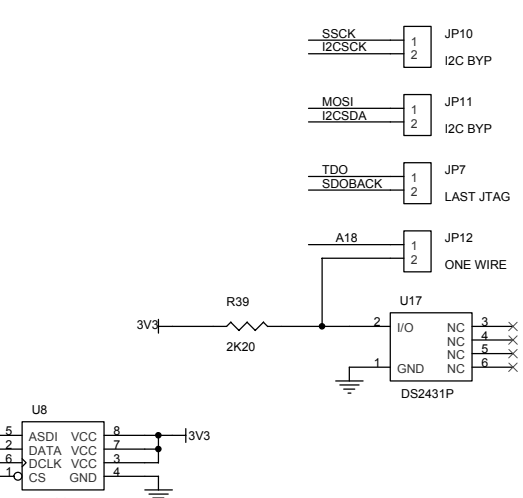
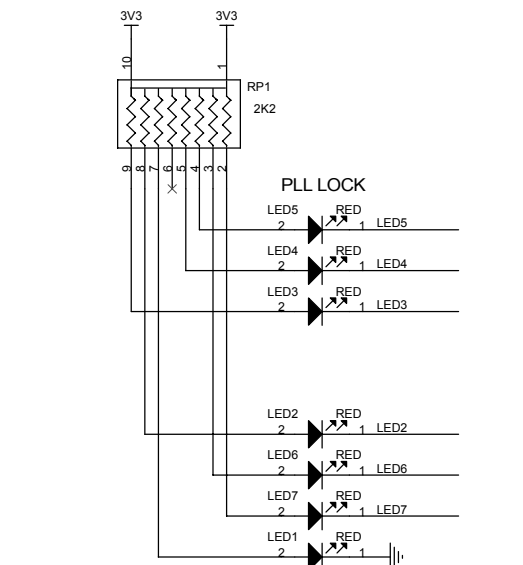
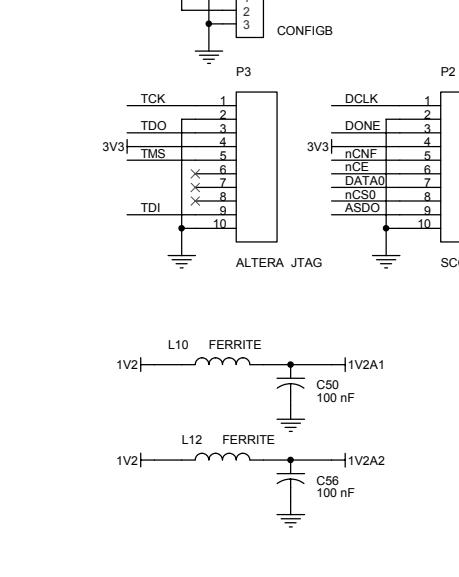
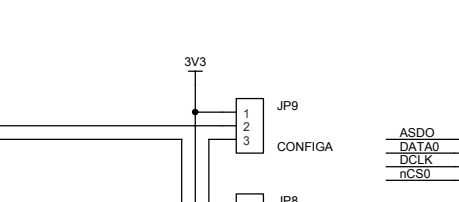
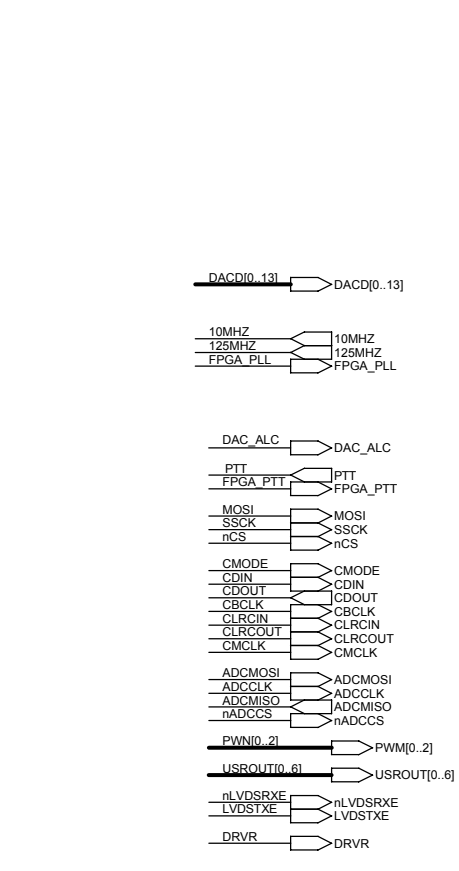
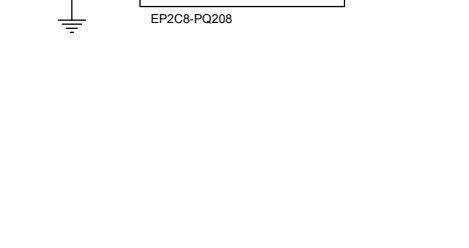
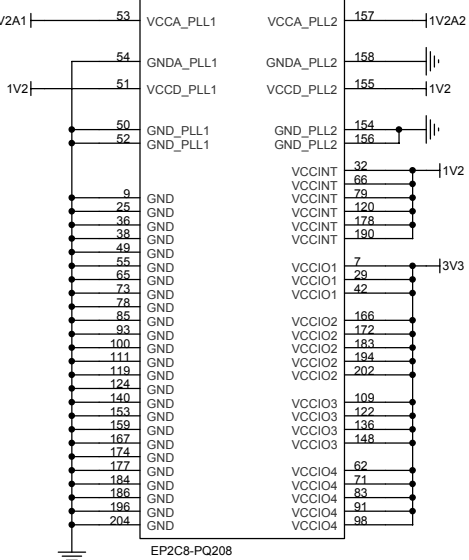
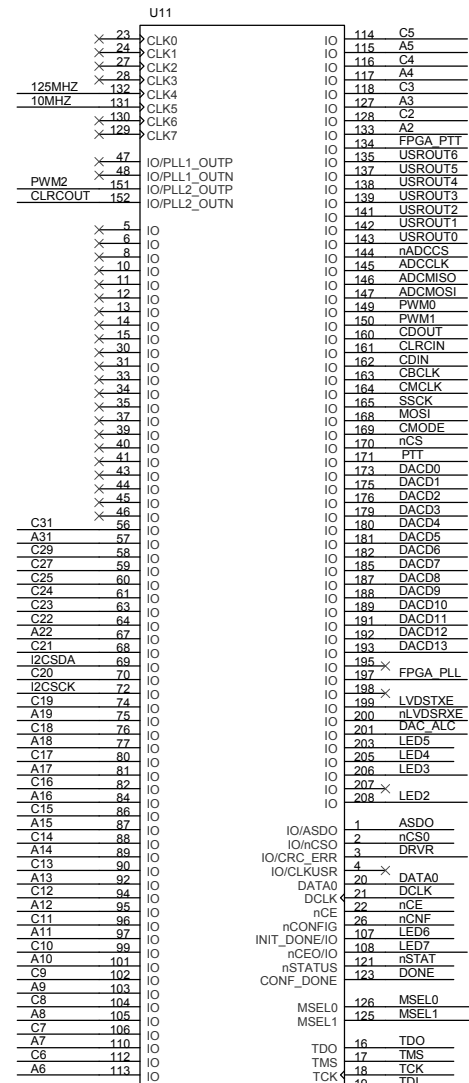
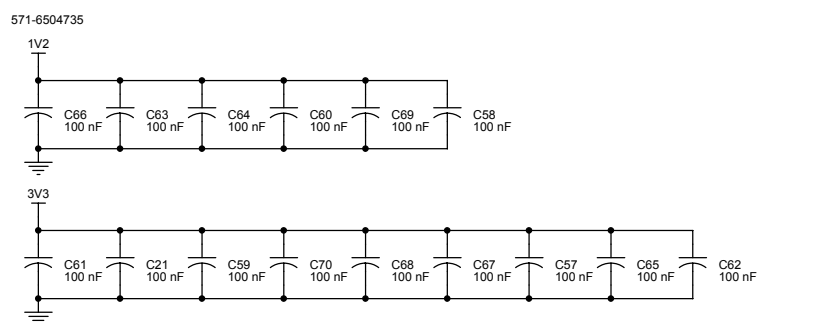
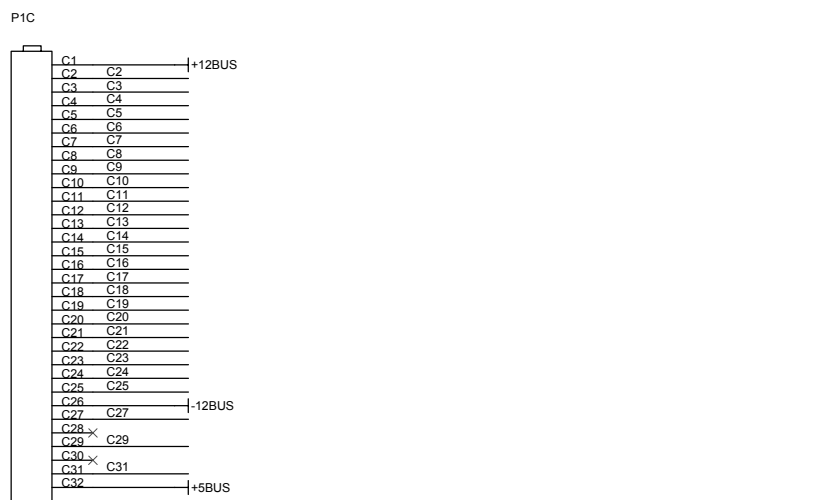
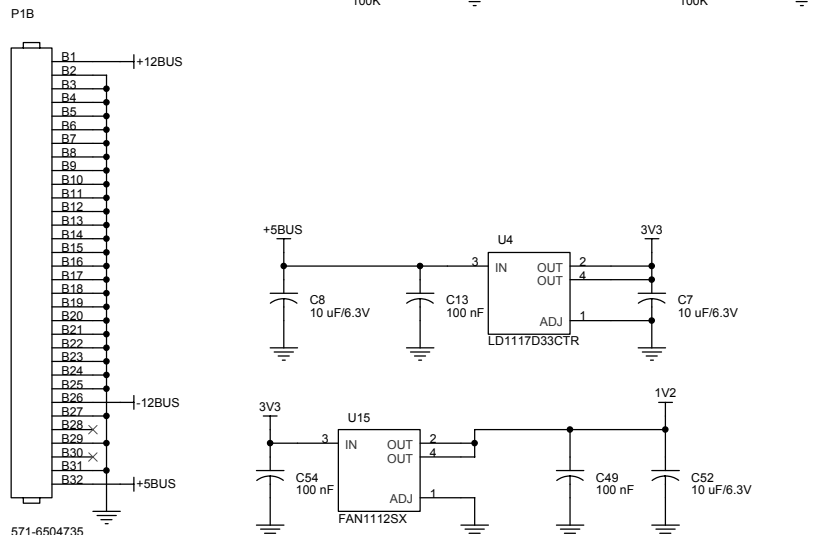
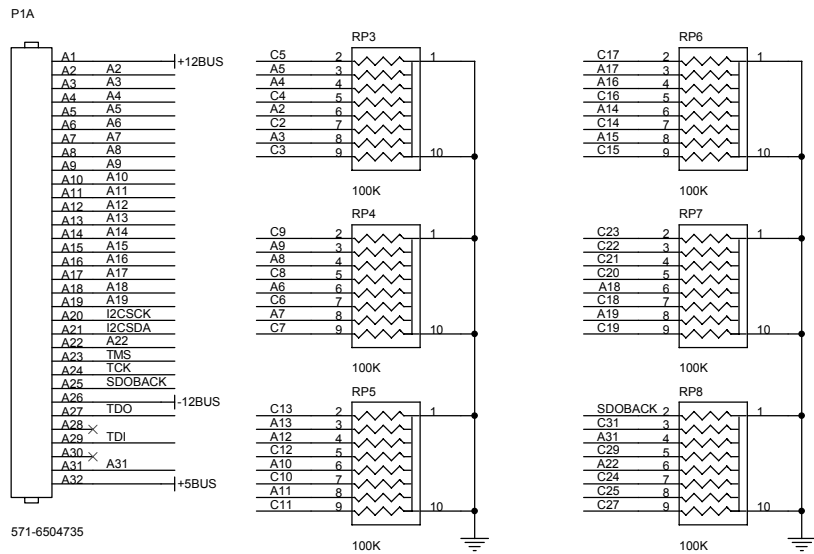
Copyright 2010, Phil Harman, VK6APH and Lyle Johnson, KK7P.
 Released under TAPR Open Hardware License.
<http://www.tapr.org/OHL>

Title		
PennyLane: Clocks		
Size	Document Number	Rev
B	HPSDR2009102401	B
Date:	Monday, November 15, 2010	Sheet 2 of 5



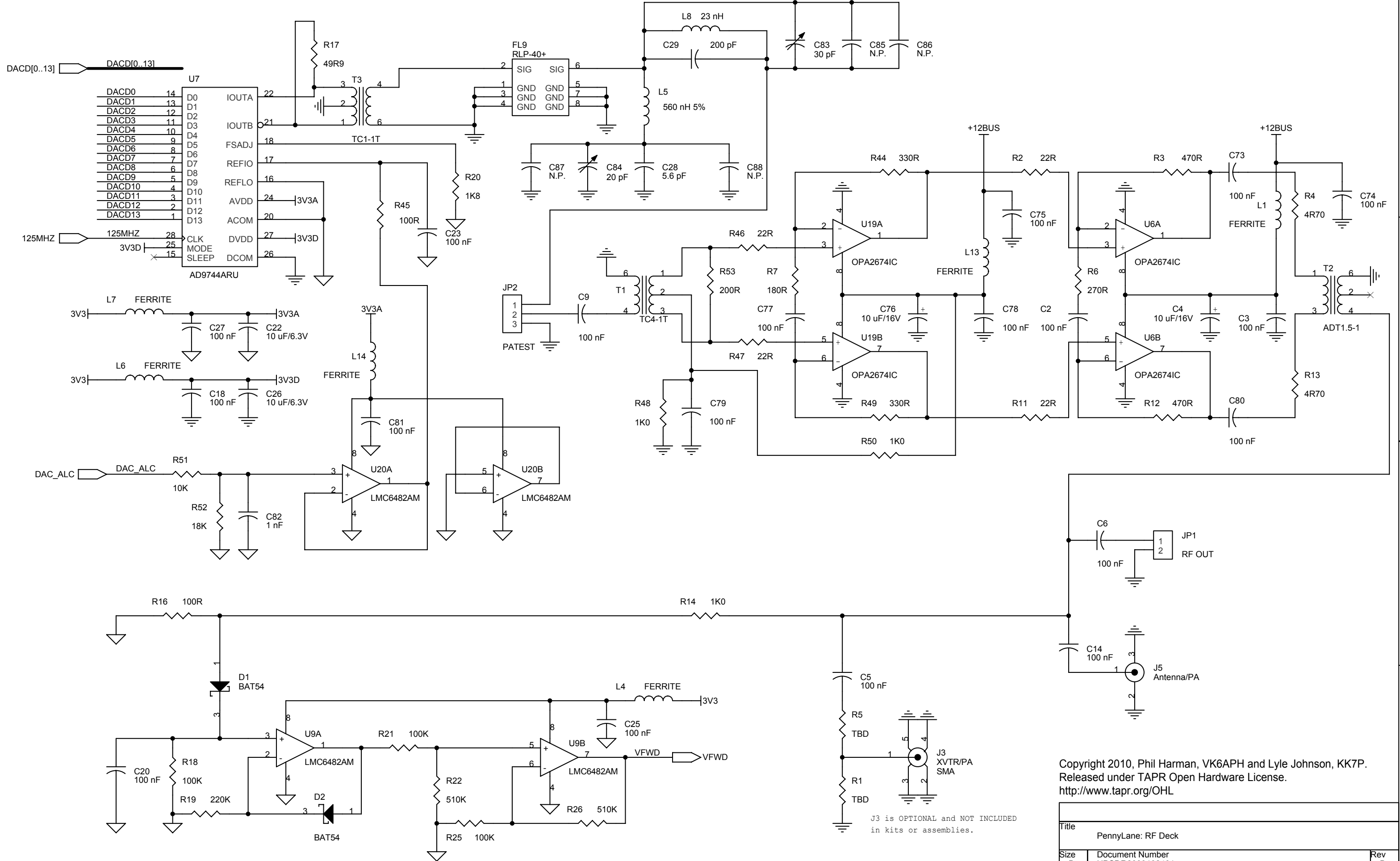
Copyright 2010, Phil Harman, VK6APH and Lyle Johnson, KK7P.
 Released under TAPR Open Hardware License.
<http://www.tapr.org/OHL>

Title		
PennyLane: CODEC		
Size	Document Number	Rev
B	HPSDR2009102401	B
Date:	Monday, November 15, 2010	Sheet 3 of 5



Copyright 2010, Phil Harman, VK6APH and Lyle Johnson, KK7P.
Released under TAPR Open Hardware License.
<http://www.tapr.org/OHL>

Title		PennyLane: FPGA	
Size	C	Document Number	HPSDR2009102401
Date:	Tuesday, September 21, 2010	Sheet	4 of 5
		Rev	B



Copyright 2010, Phil Harman, VK6APH and Lyle Johnson, KK7P.
 Released under TAPR Open Hardware License.
<http://www.tapr.org/OHL>

Title		
PennyLane: RF Deck		
Size	Document Number	Rev
B	HPSDR2009102401	B
Date:	Saturday, December 11, 2010	Sheet 5 of 5

J3 is OPTIONAL and NOT INCLUDED in kits or assemblies.