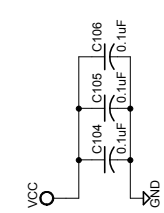
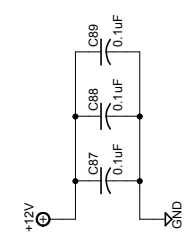
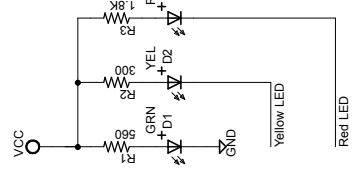
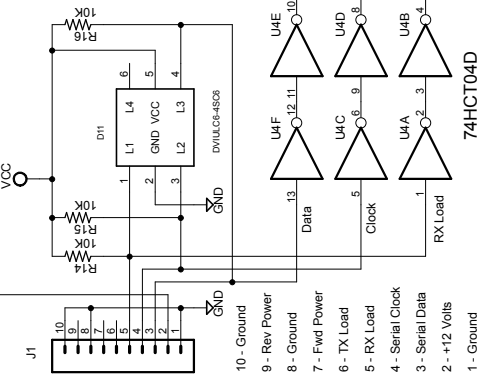
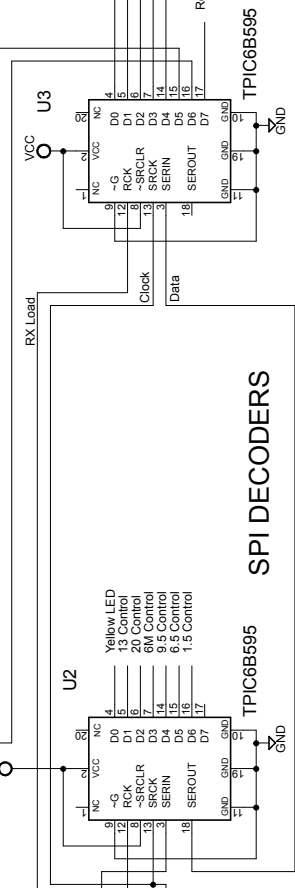
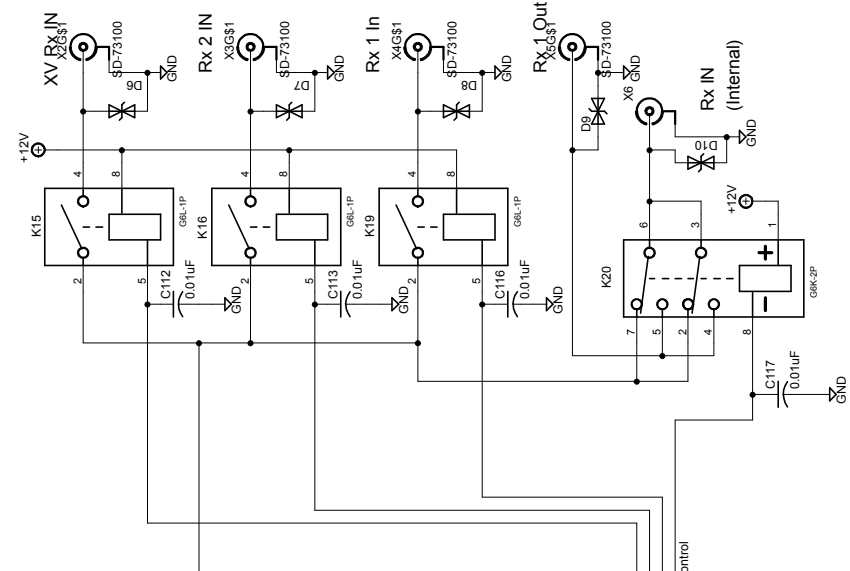
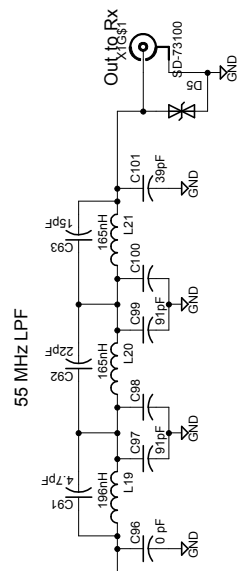


**ALEX RECEIVE**  
**VERSION P-1.0.4**  
**2011 MAR 27**

Copyright 2008-2011, Graham Haddock, KE9H  
 and Phil Harman, VK6APH.

Released under TAPR Non-commercial  
 Hardware License  
<http://www.tapr.org/NCL>



- 10 - Ground
- 9 - Rev Power
- 8 - Ground
- 7 - Fwd Power
- 6 - TX Load
- 5 - RX Load
- 4 - Serial Clock
- 3 - Serial Data
- 2 - +12 Volts
- 1 - Ground