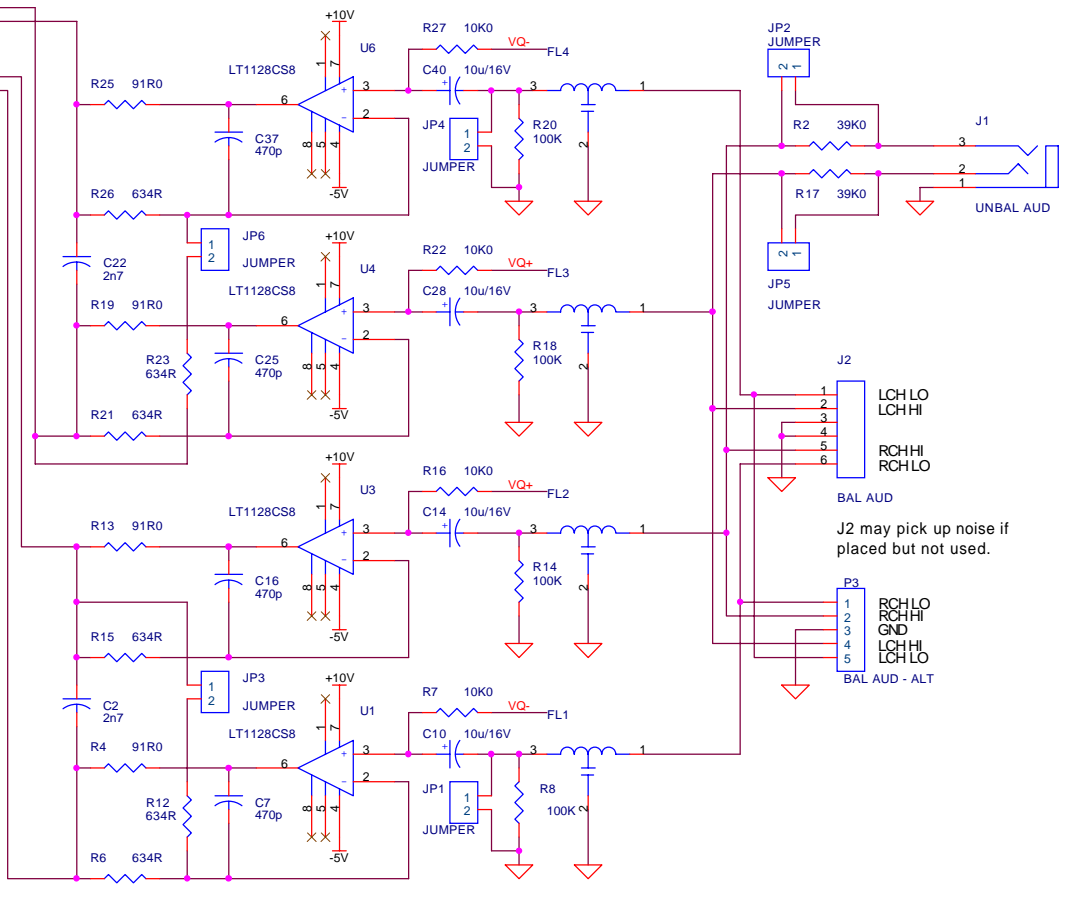
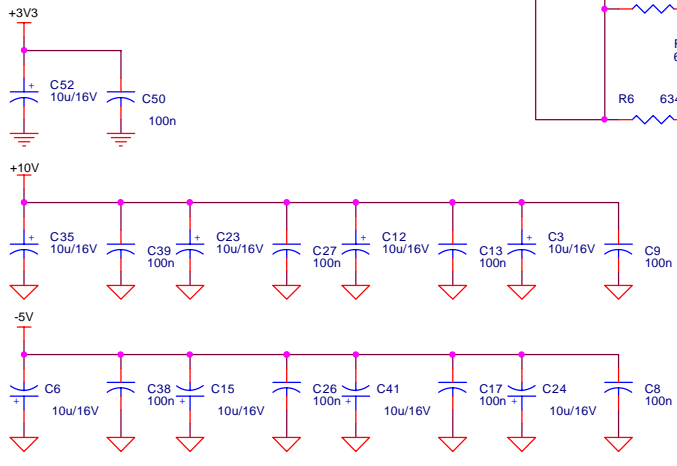
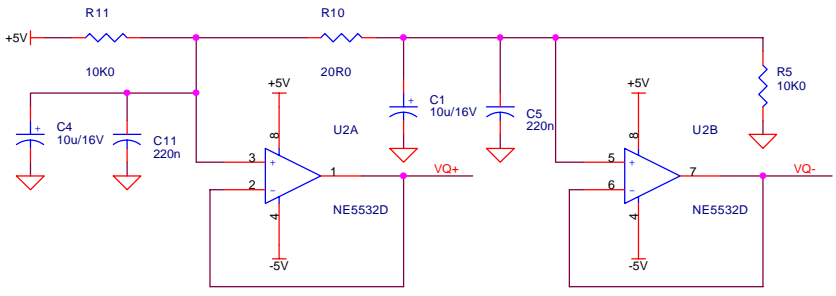
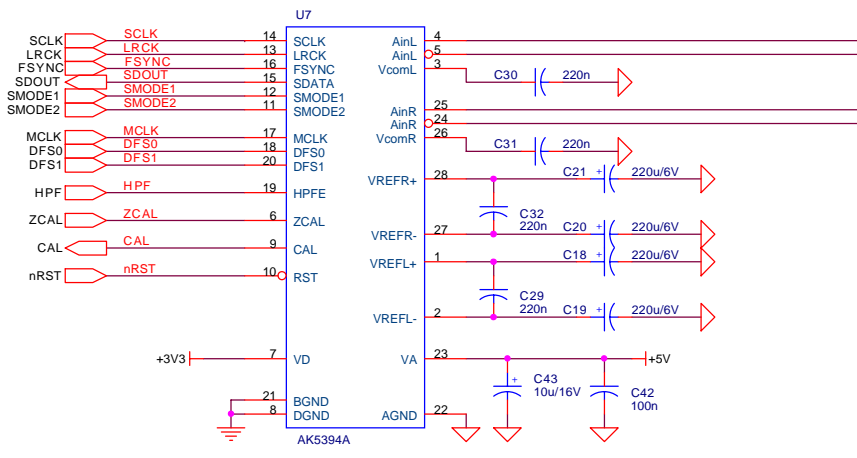


Design Copyright 2006 Phil Harman, VK6APH. All rights reserved. Licensed under TAPR NHL <http://tapr.org/OHL> Non Commercial

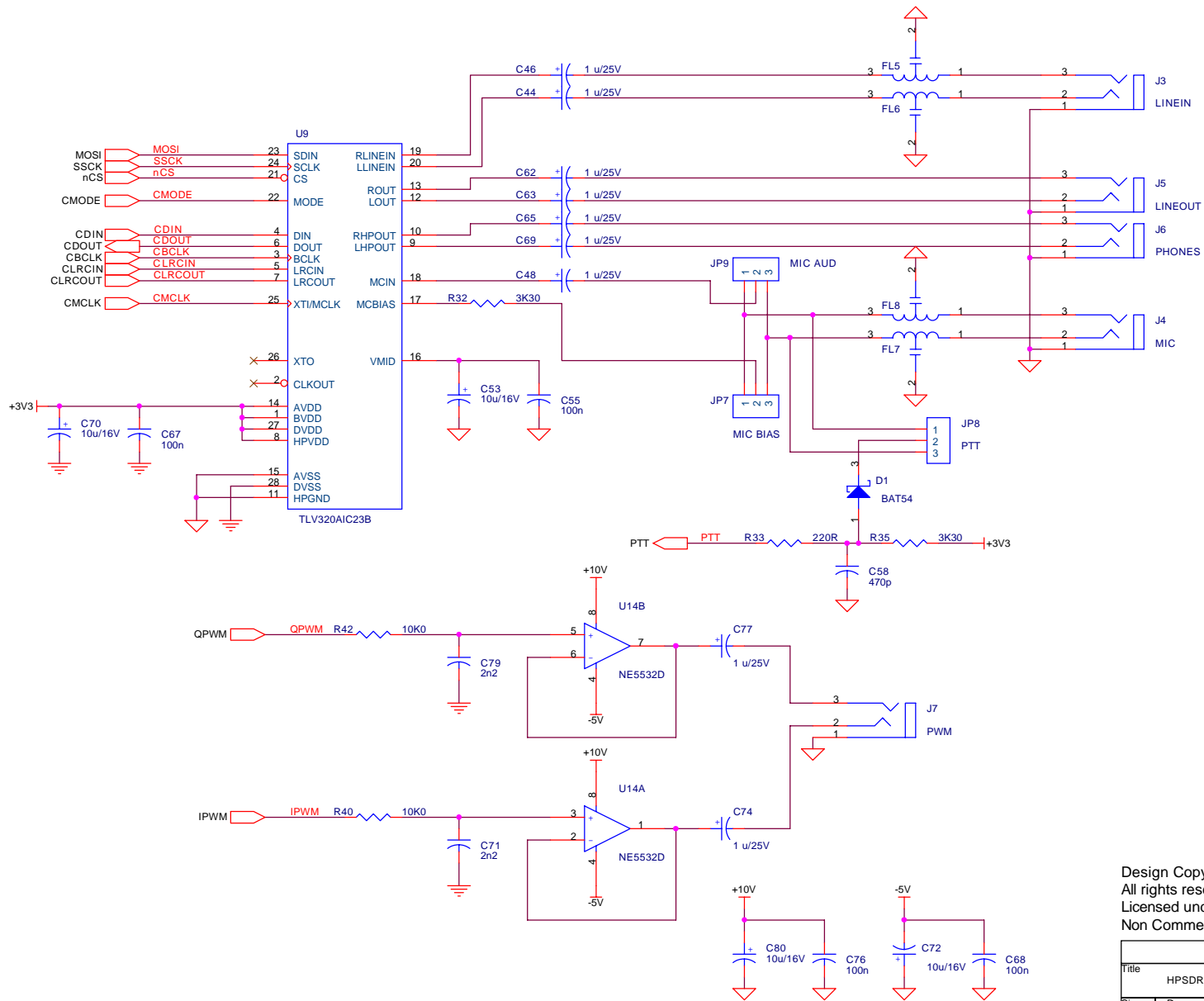
Title		
HPSDR: Janus Audio Board (Beta)		
Size	Document Number	Rev
B	2006042101	XC1
Date:	Tuesday, February 13, 2007	Sheet 1 of 4



J2 may pick up noise if placed but not used.

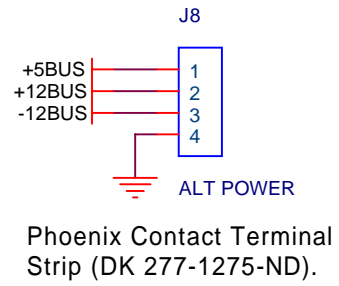
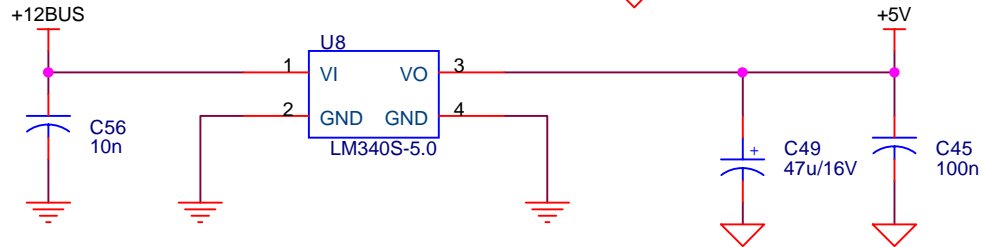
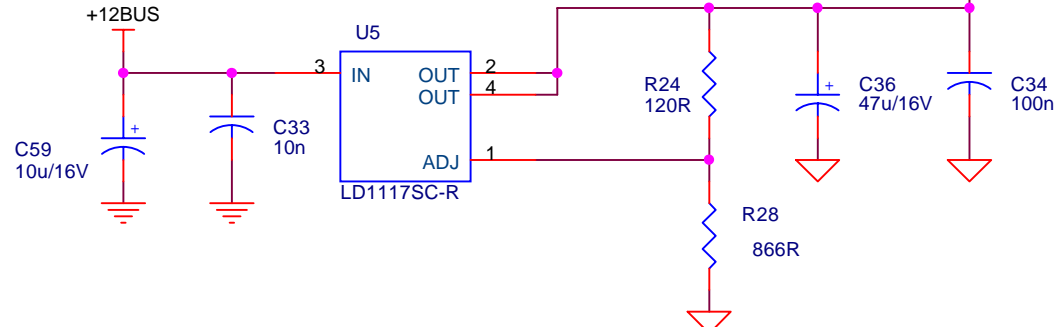
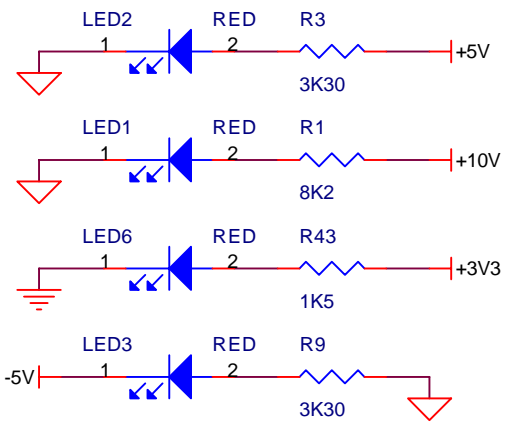
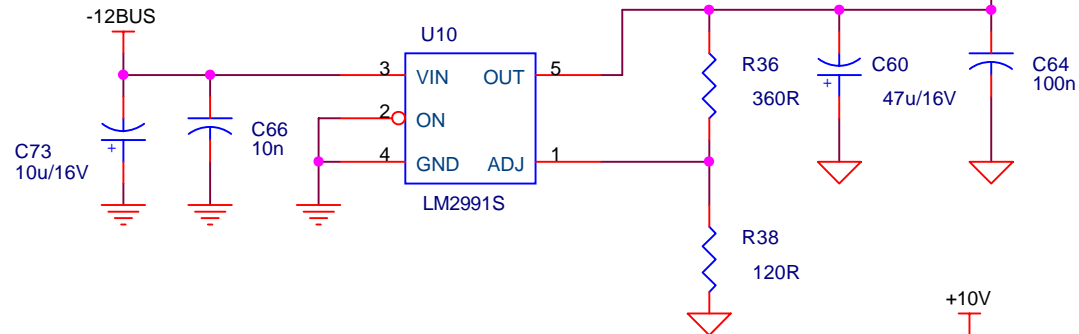
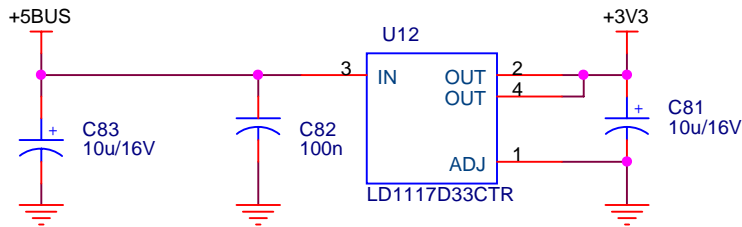
Design Copyright 2006 Phil Harman, VK6APH.
All rights reserved.
Licensed under TAPR NHL <http://tapr.org/OHL>
Non Commercial

Title		
HPSDR: Janus - ADC (Beta)		
Size B	Document Number	Rev
	2006042101	XC1
Date:	Tuesday, February 13, 2007	Sheet 2 of 4



Design Copyright 2006 Phil Harman, VK6APH.
 All rights reserved.
 Licensed under TAPR NHL <http://tapr.org/OHL>
 Non Commercial

Title		
HPSDR: Janus - CODEC and PWM (Beta)		
Size	Document Number	Rev
B	2006042101	XC1
Date:	Tuesday, February 13, 2007	Sheet 3 of 4



Design Copyright 2006 Phil Harman, VK6APH.
 All rights reserved.
 Licensed under TAPR NHL <http://tapr.org/OHL>
 Non Commercial

Title		
HPSDR: Janus Audio Board Power (Beta)		
Size	Document Number	Rev
A	2006042101	XC11
Date:	Tuesday, February 13, 2007	Sheet 4 of 4