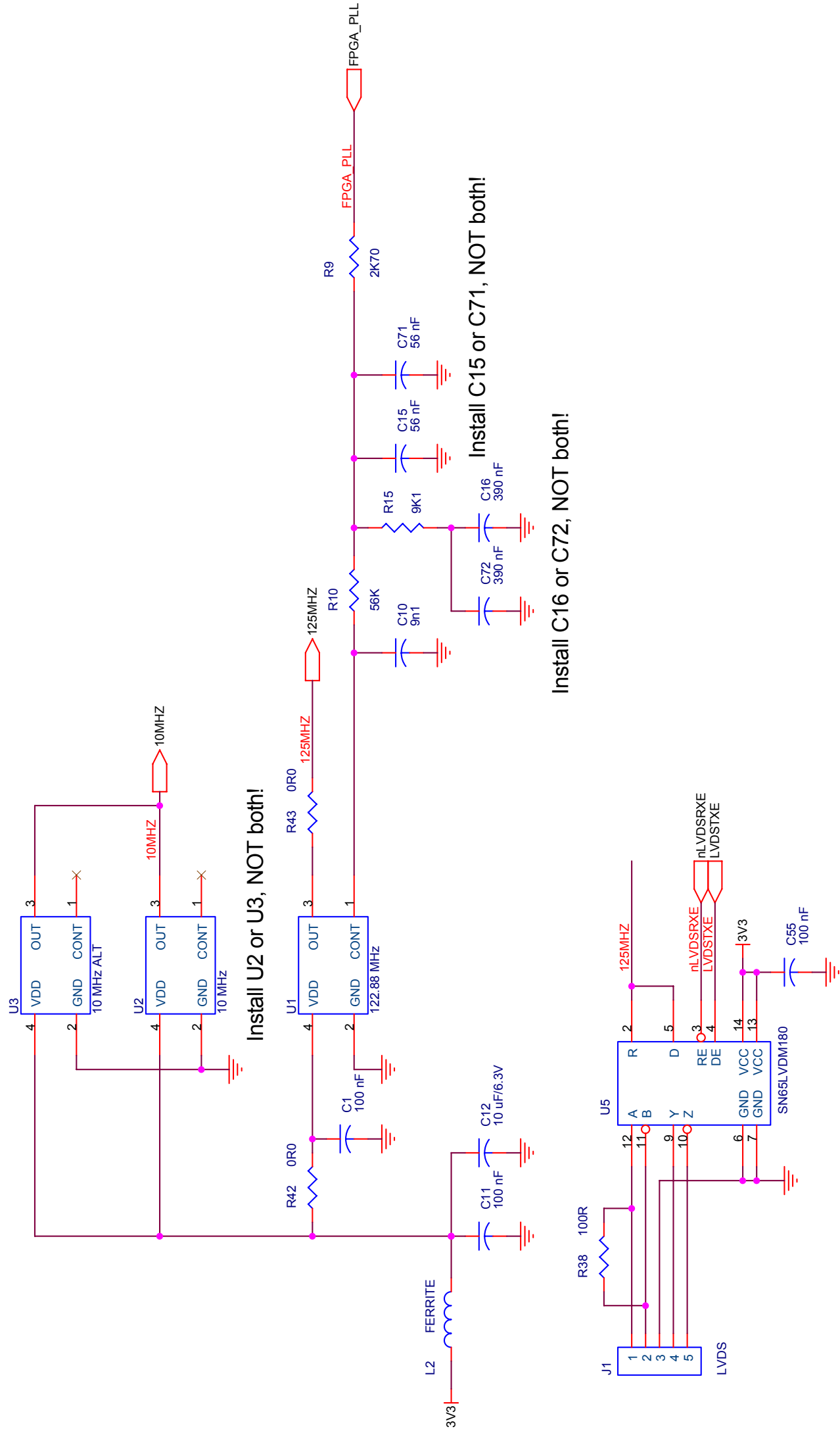


Copyright 2007, Phil Harman, VK6APH and Lyle Johnson, KK7P.
 Released under TAPR Non-commercial Hardware License.
<http://www.tapr.org/OHL>

Title		Penelope: TOP	
Size	B	Document Number	HPSDR2007012901
Date:	Tuesday, January 15, 2008	Sheet	1 of 5
Rev	A		



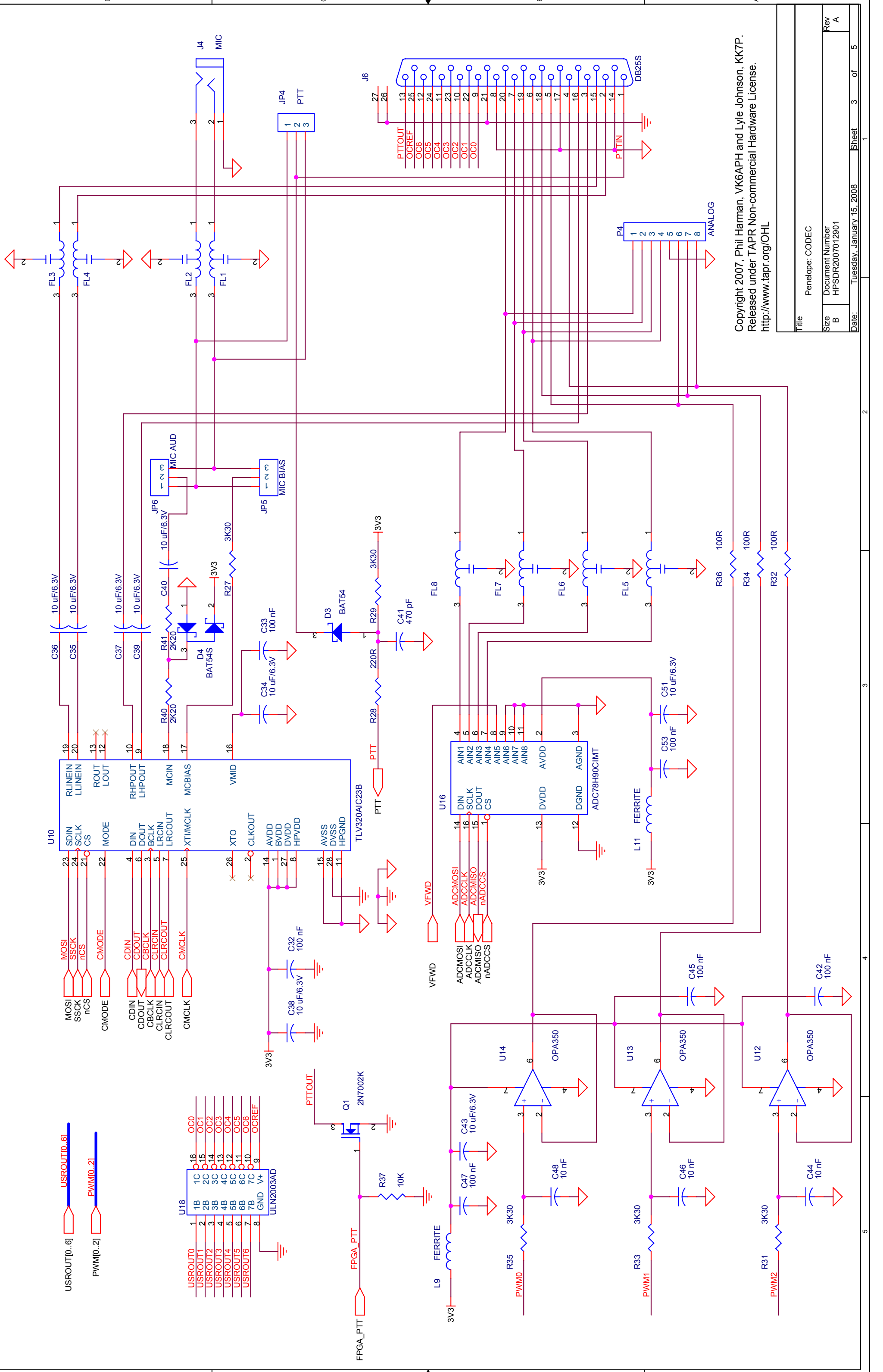
Install U2 or U3, NOT both!

Install C15 or C71, NOT both!

Install C16 or C72, NOT both!

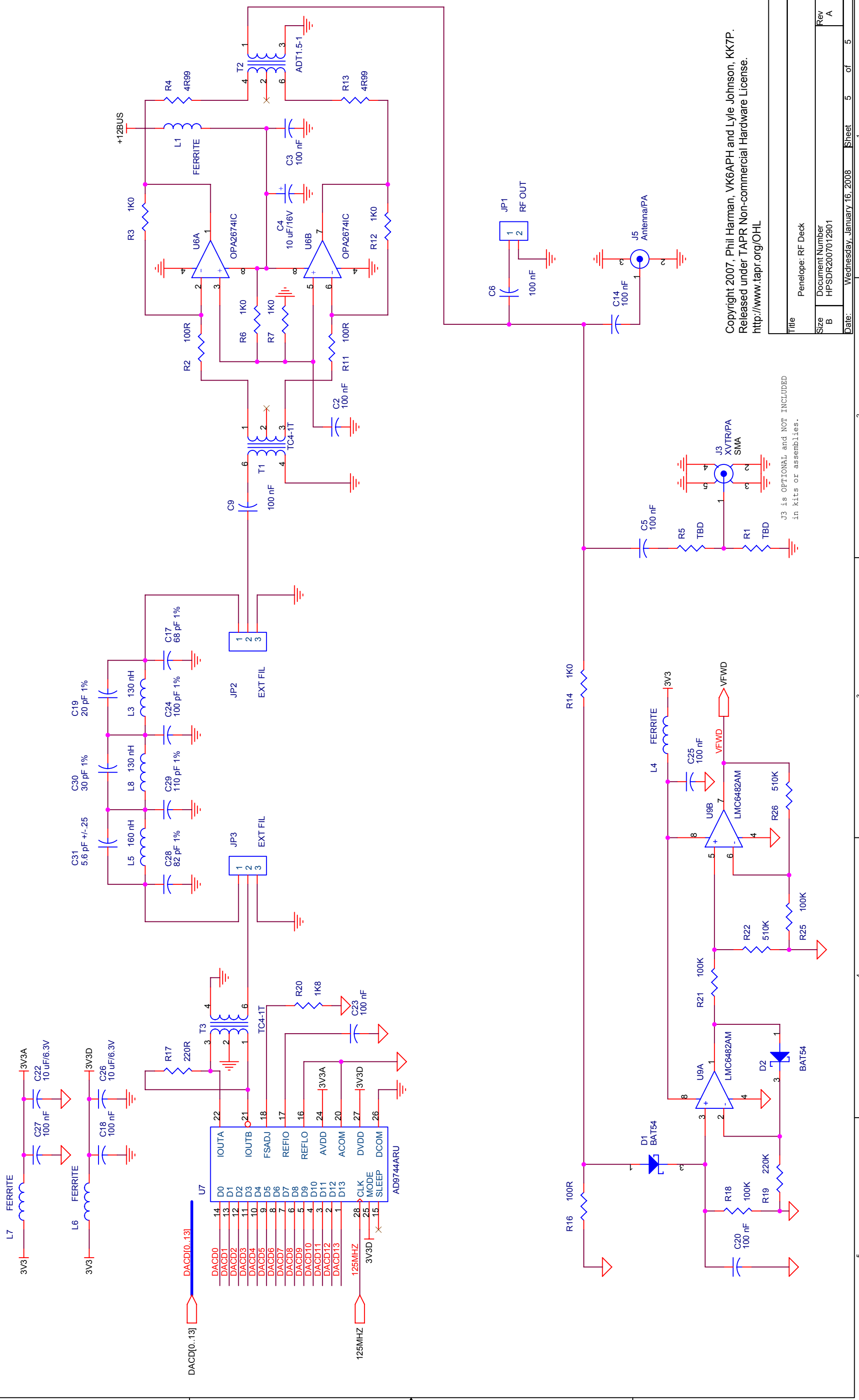
Copyright 2007, Phil Harman, VK6APH and Lyle Johnson, KK7P.
 Released under TAPR Non-commercial Hardware License.
<http://www.tapr.org/OHL>

Title		Penelope: Clocks	
Size	B	Document Number	HPSDR2007012901
Date:	Tuesday, January 15, 2008	Sheet	2 of 5
Rev		A	



Copyright 2007, Phil Harman, VK6APH and Lyle Johnson, KK7P.
 Released under TAPR Non-commercial Hardware License.
<http://www.tapr.org/OHL>

Title		Penelope: CODEC	
Size	B	Document Number	HPSDR2007012901
Date:	Tuesday, January 15, 2008	Sheet	3 of 5
Rev	A		



Copyright 2007, Phil Harman, VK6APH and Lyle Johnson, KK7P.
 Released under TAPR Non-commercial Hardware License.
<http://www.tapr.org/OHL>

Title		Penelope: RF Deck	
Size	B	Document Number	HPSDR2007012901
Date:	Wednesday, January 16, 2008	Sheet	5 of 5
Rev	A		

J3 is OPTIONAL and NOT INCLUDED
 in kits or assemblies.