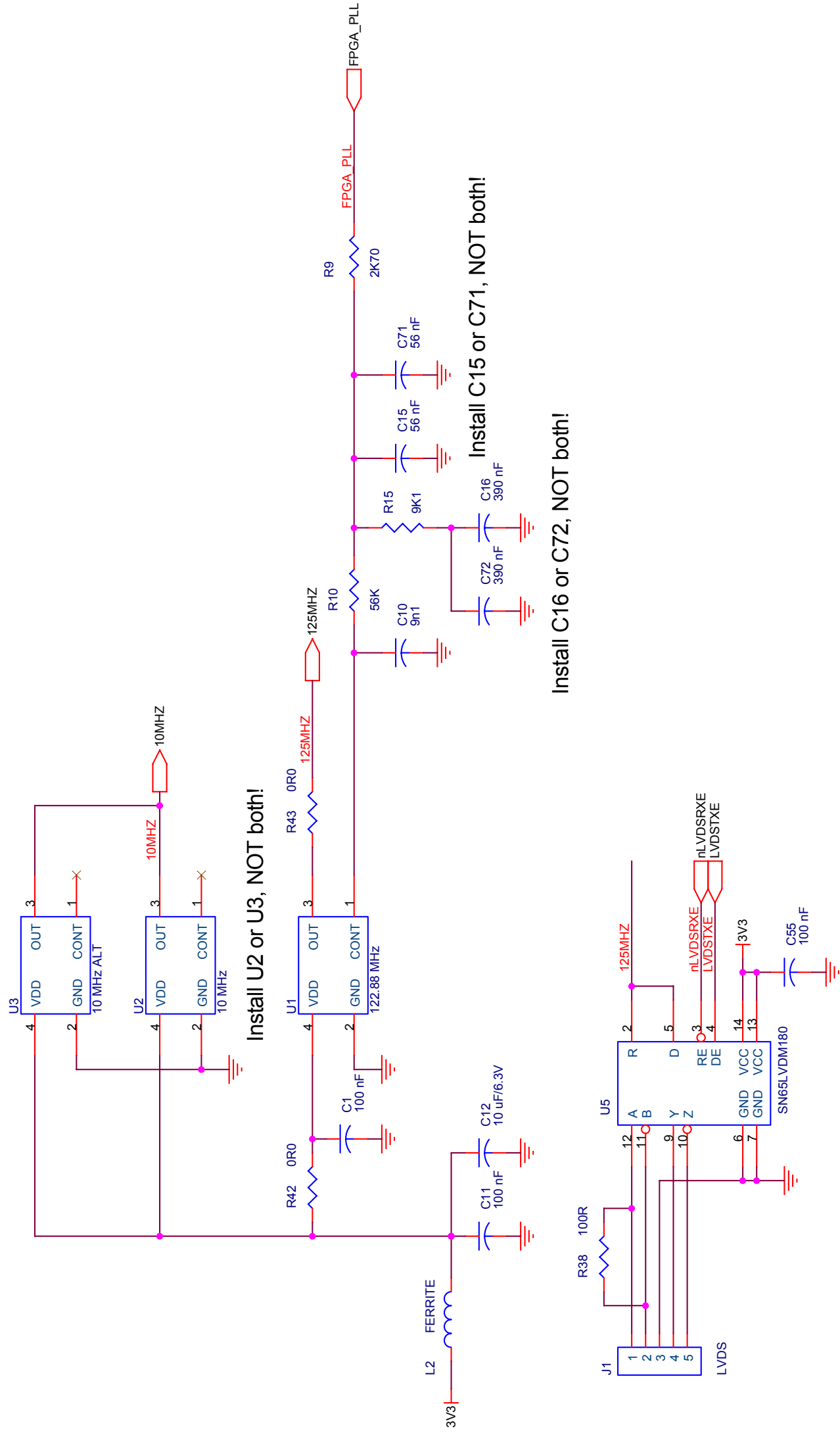


Copyright 2007, Phil Harman, VK6APH and Lyle Johnson, KK7P.
 Released under TAPR Non-commercial Hardware License.
<http://www.tapr.org/OHL>

| | | | |
|-------|---------------------------|-----------------|-----------------|
| Title | | Penelope: TOP | |
| Size | B | Document Number | HPSDR2007012901 |
| Date: | Tuesday, January 15, 2008 | Sheet | 1 of 5 |
| Rev | A | | |



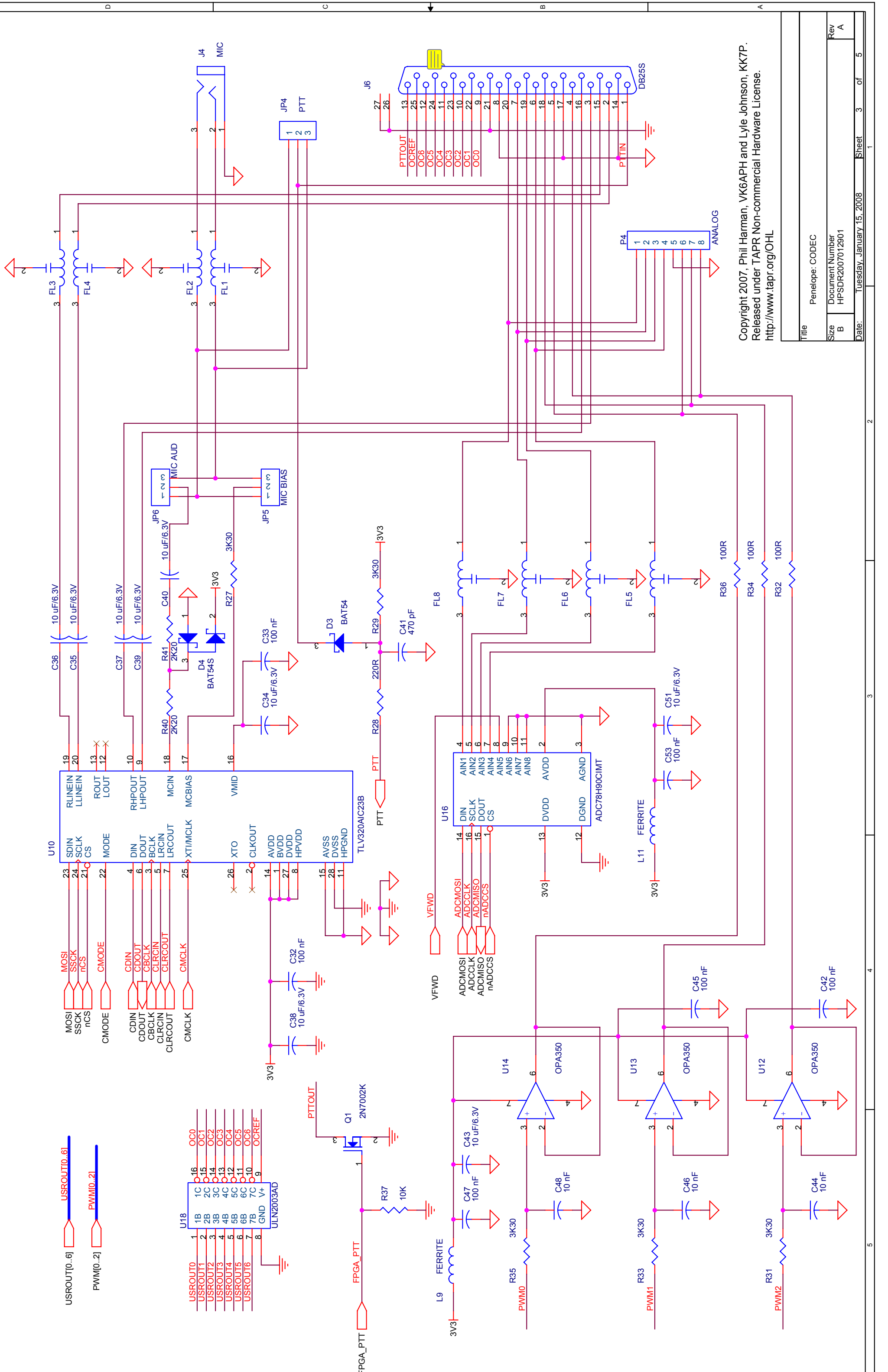
Install U2 or U3, NOT both!

Install C15 or C71, NOT both!

Install C16 or C72, NOT both!

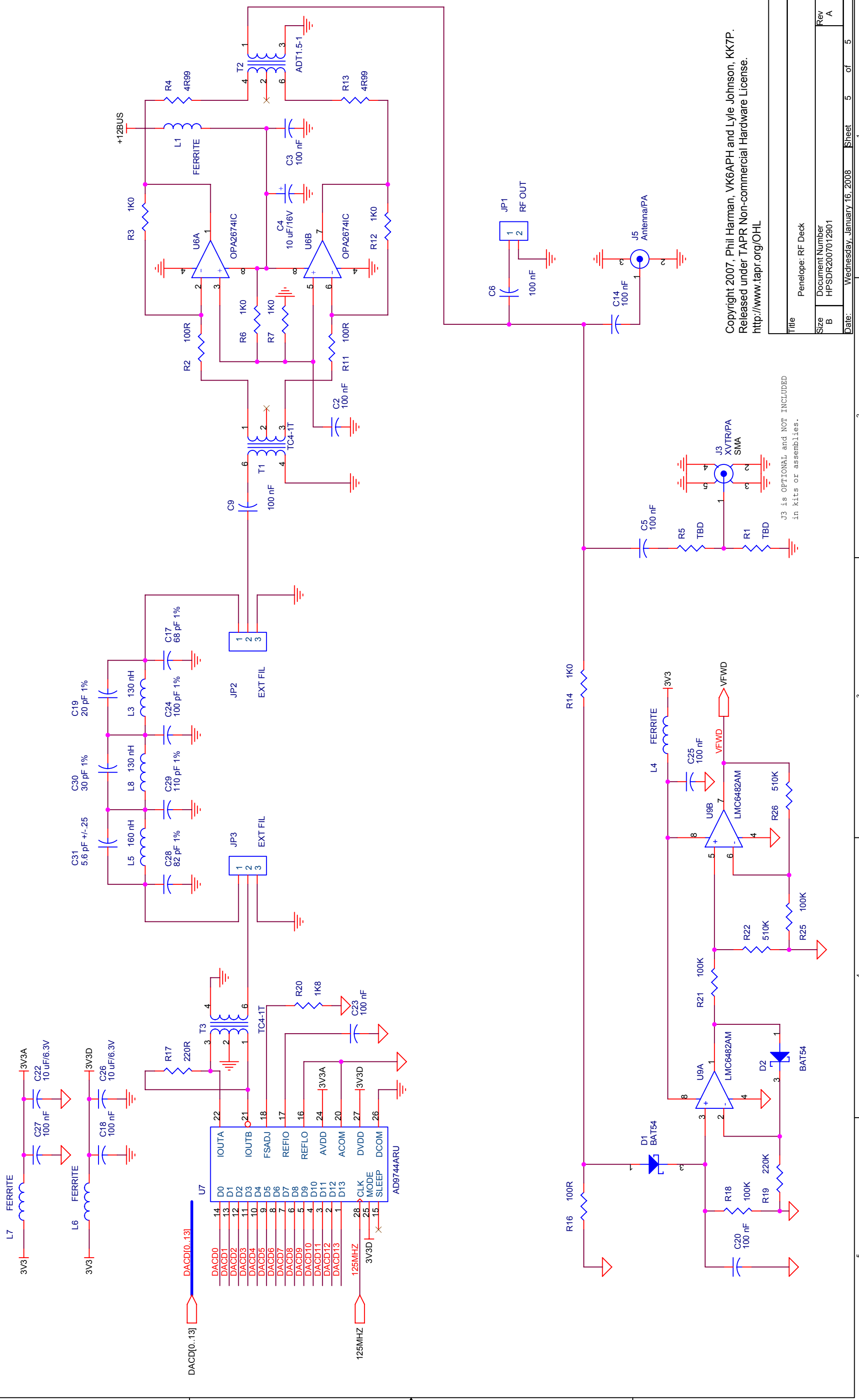
Copyright 2007, Phil Harman, VK6APH and Lyle Johnson, KK7P.
 Released under TAPR Non-commercial Hardware License.
<http://www.tapr.org/OHL>

| | | | |
|-------|---------------------------|------------------|-----------------|
| Title | | Penelope: Clocks | |
| Size | B | Document Number | HPSDR2007012901 |
| Date: | Tuesday, January 15, 2008 | Sheet | 2 of 5 |



Copyright 2007, Phil Harman, VK6APH and Lyle Johnson, KK7P.
 Released under TAPR Non-commercial Hardware License.
<http://www.tapr.org/OHL>

| | | | |
|-------|---------------------------|-----------------|-----------------|
| Title | | Penelope: CODEC | |
| Size | B | Document Number | HPSDR2007012901 |
| Date: | Tuesday, January 15, 2008 | Sheet | 3 of 5 |
| Rev | A | | |



Copyright 2007, Phil Harman, VK6APH and Lyle Johnson, KK7P.
 Released under TAPR Non-commercial Hardware License.
<http://www.tapr.org/OHL>

| | | | |
|-------|-----------------------------|-------------------|-----------------|
| Title | | Penelope: RF Deck | |
| Size | B | Document Number | HPSDR2007012901 |
| Date: | Wednesday, January 16, 2008 | Sheet | 5 of 5 |
| Rev | A | | |

J3 is OPTIONAL and NOT INCLUDED
 in kits or assemblies.