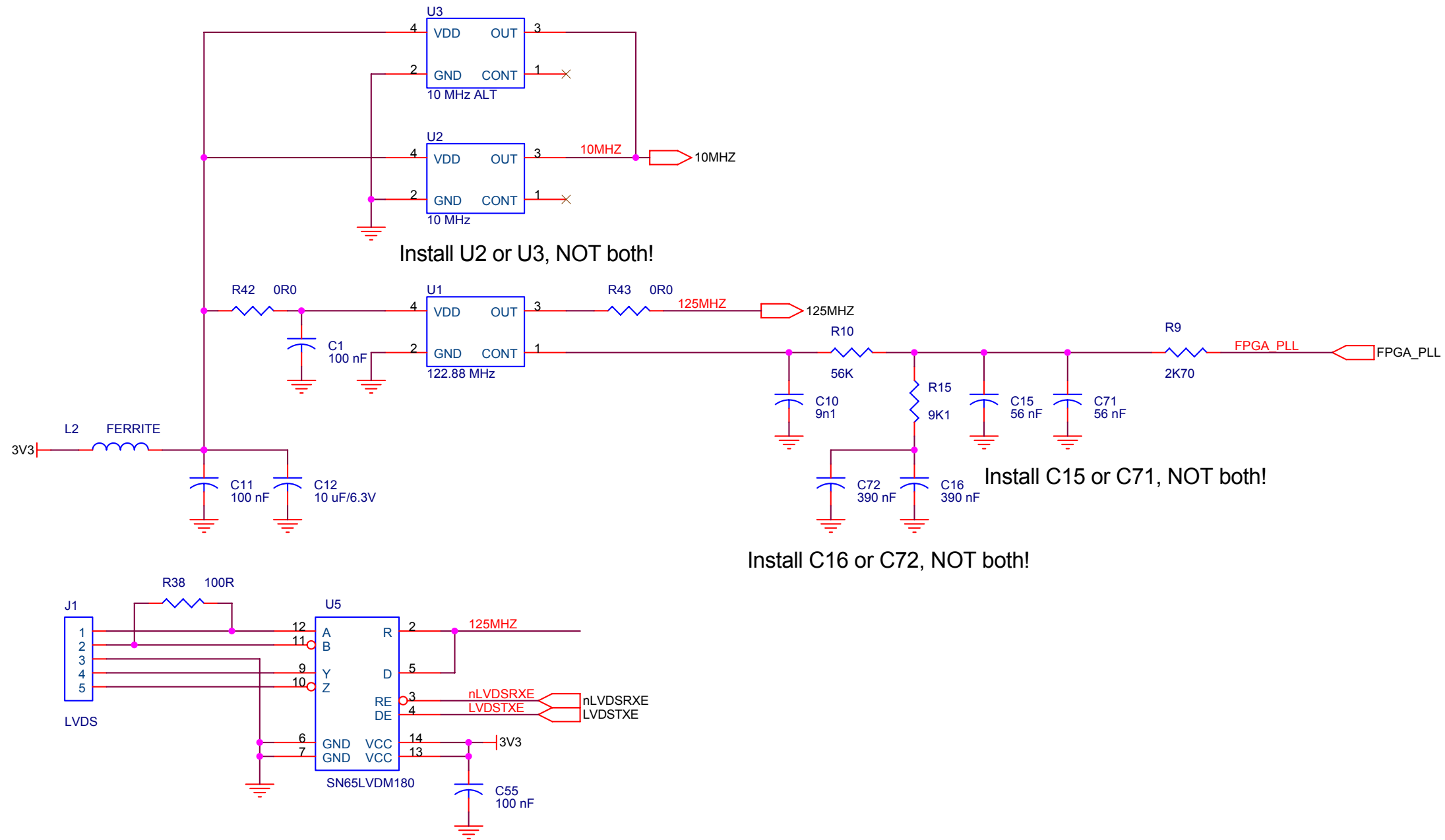


Rev A.1: Initial Release under OHL.

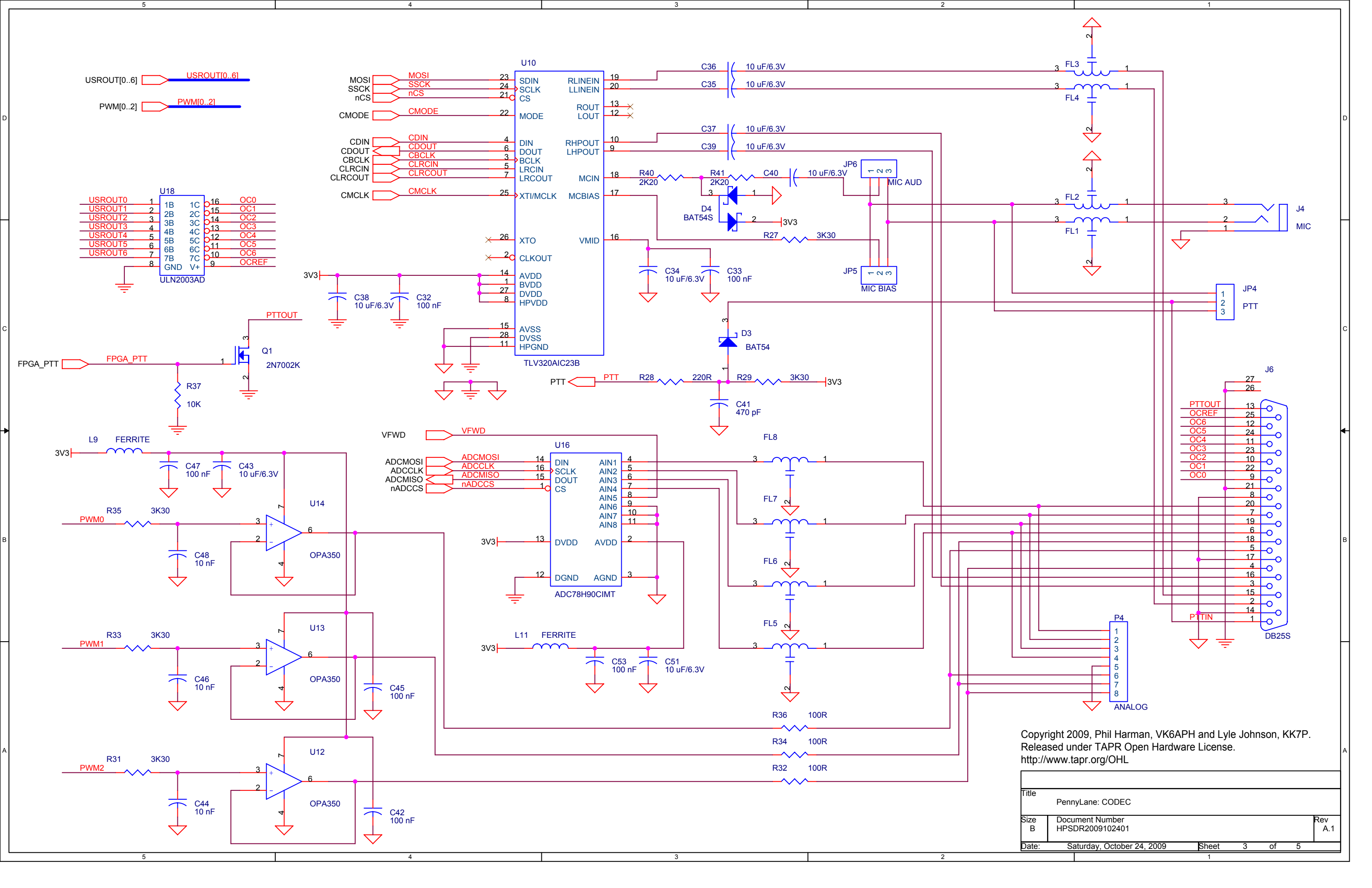
Copyright 2009, Phil Harman, VK6APH and Lyle Johnson, KK7P.  
 Released under TAPR Open Hardware License.  
<http://www.tapr.org/OHL>

Title		
PennyLane: TOP		
Size	Document Number	Rev
B	HPSDR2009102401	A.1
Date:	Saturday, October 24, 2009	Sheet 1 of 5



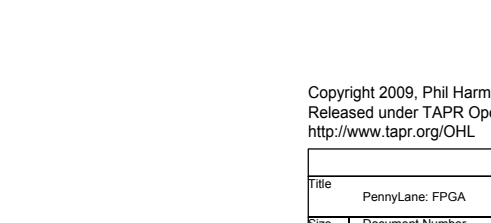
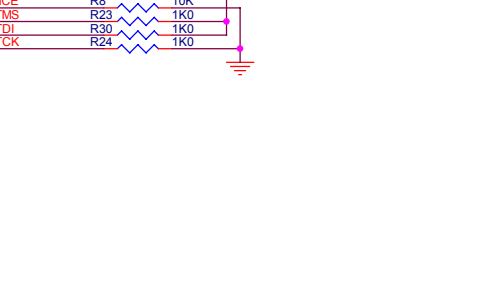
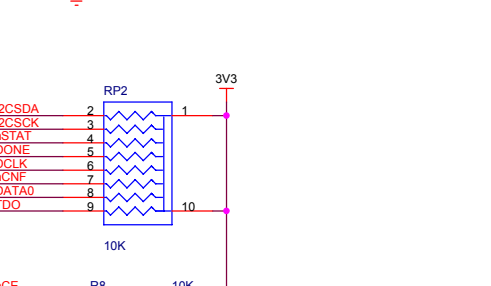
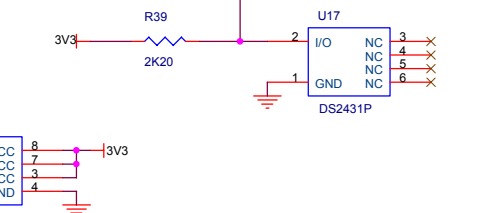
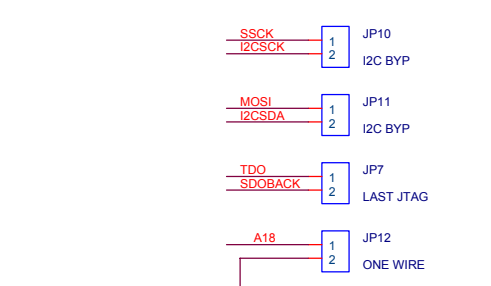
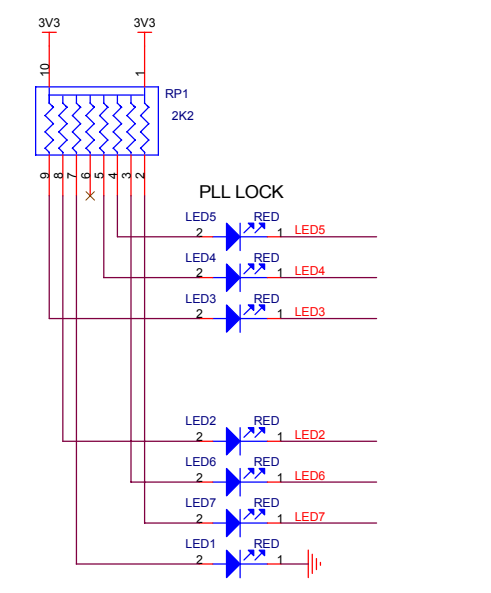
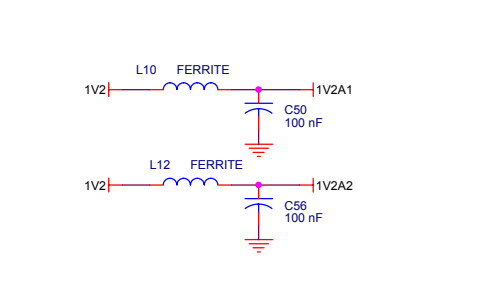
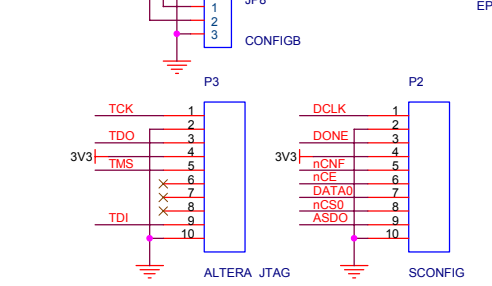
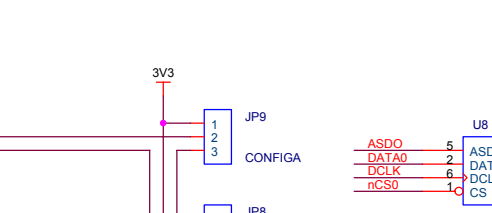
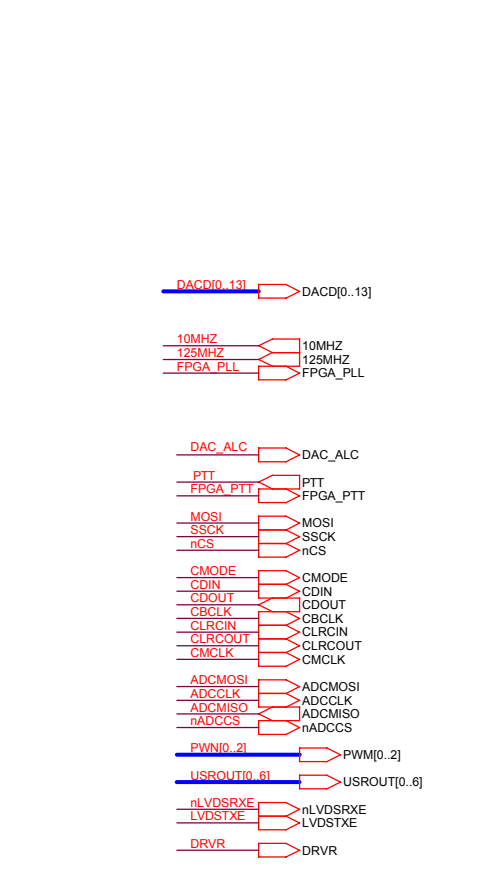
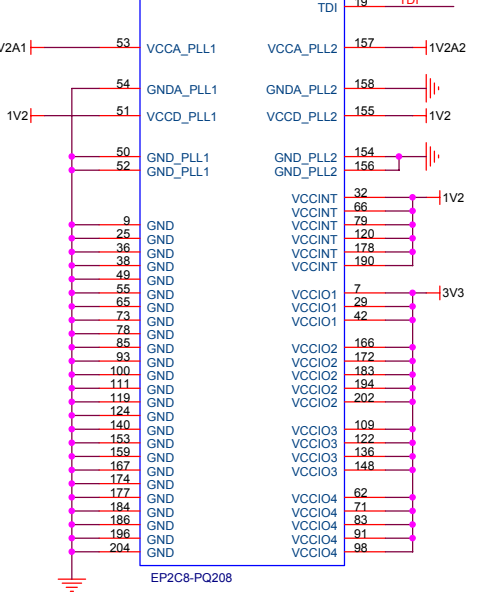
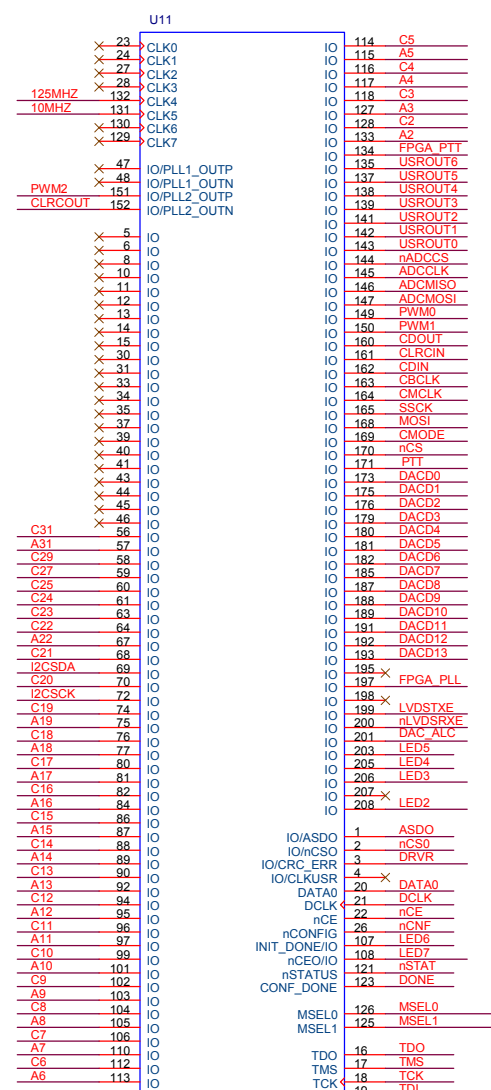
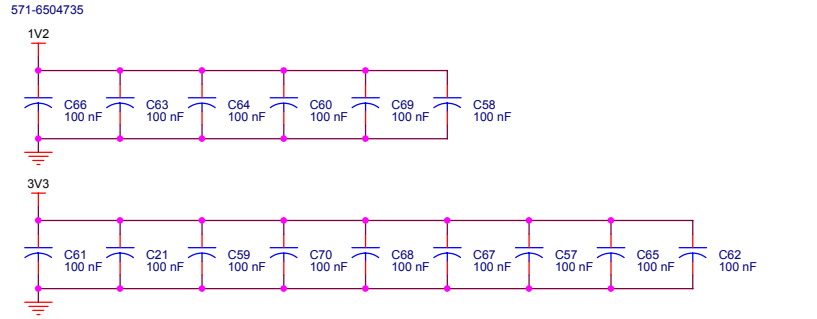
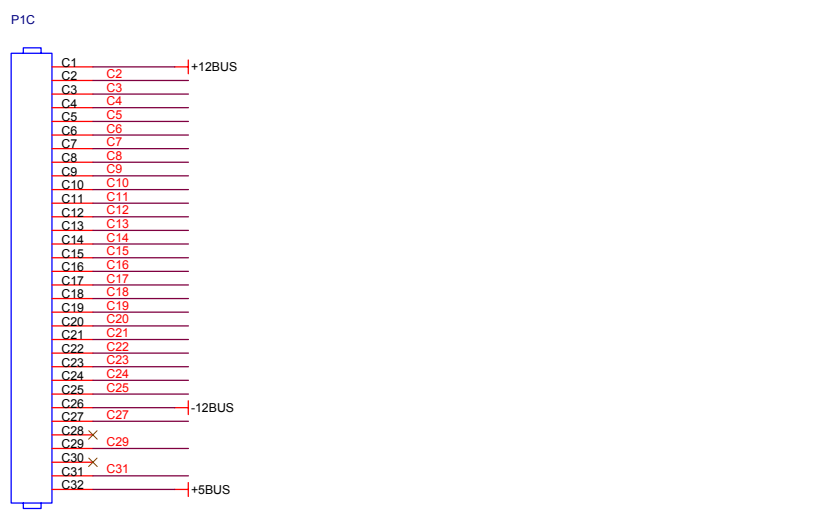
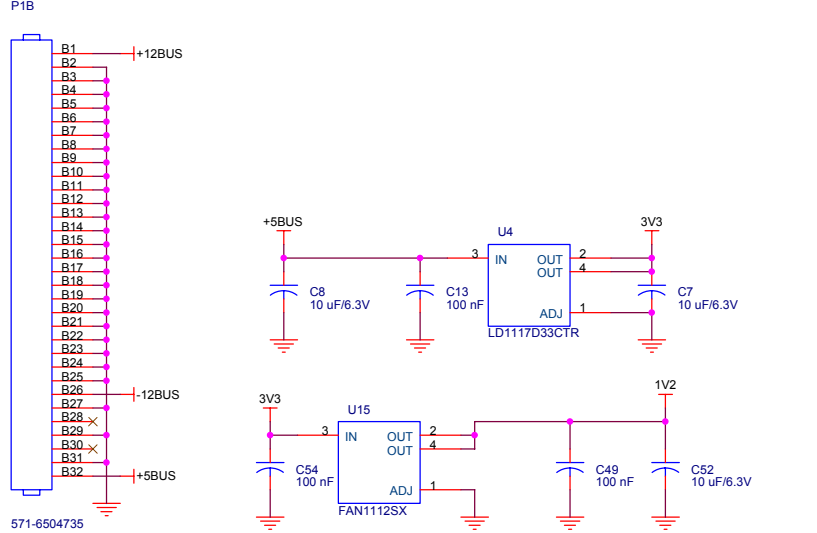
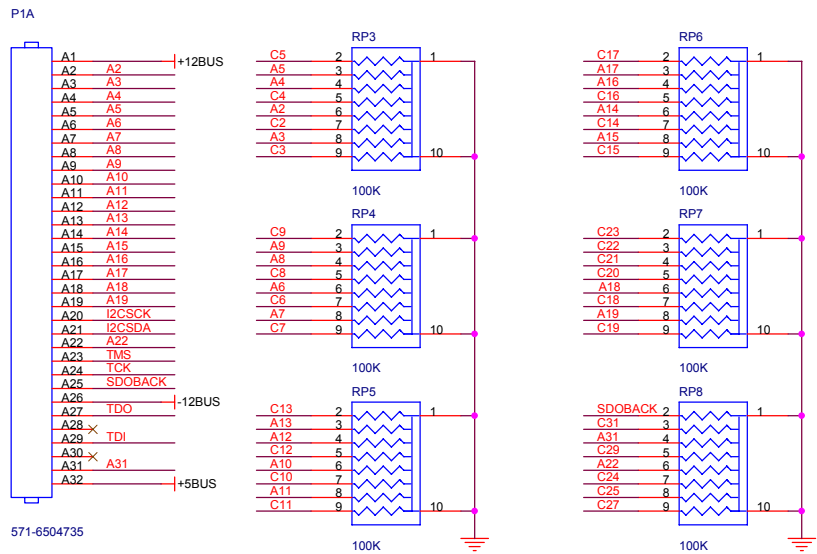
Copyright 2009, Phil Harman, VK6APH and Lyle Johnson, KK7P.  
 Released under TAPR Open Hardware License.  
<http://www.tapr.org/OHL>

Title		
PennyLane: Clocks		
Size	Document Number	Rev
B	HPSDR2009102401	A.1
Date:	Saturday, October 24, 2009	Sheet 2 of 5



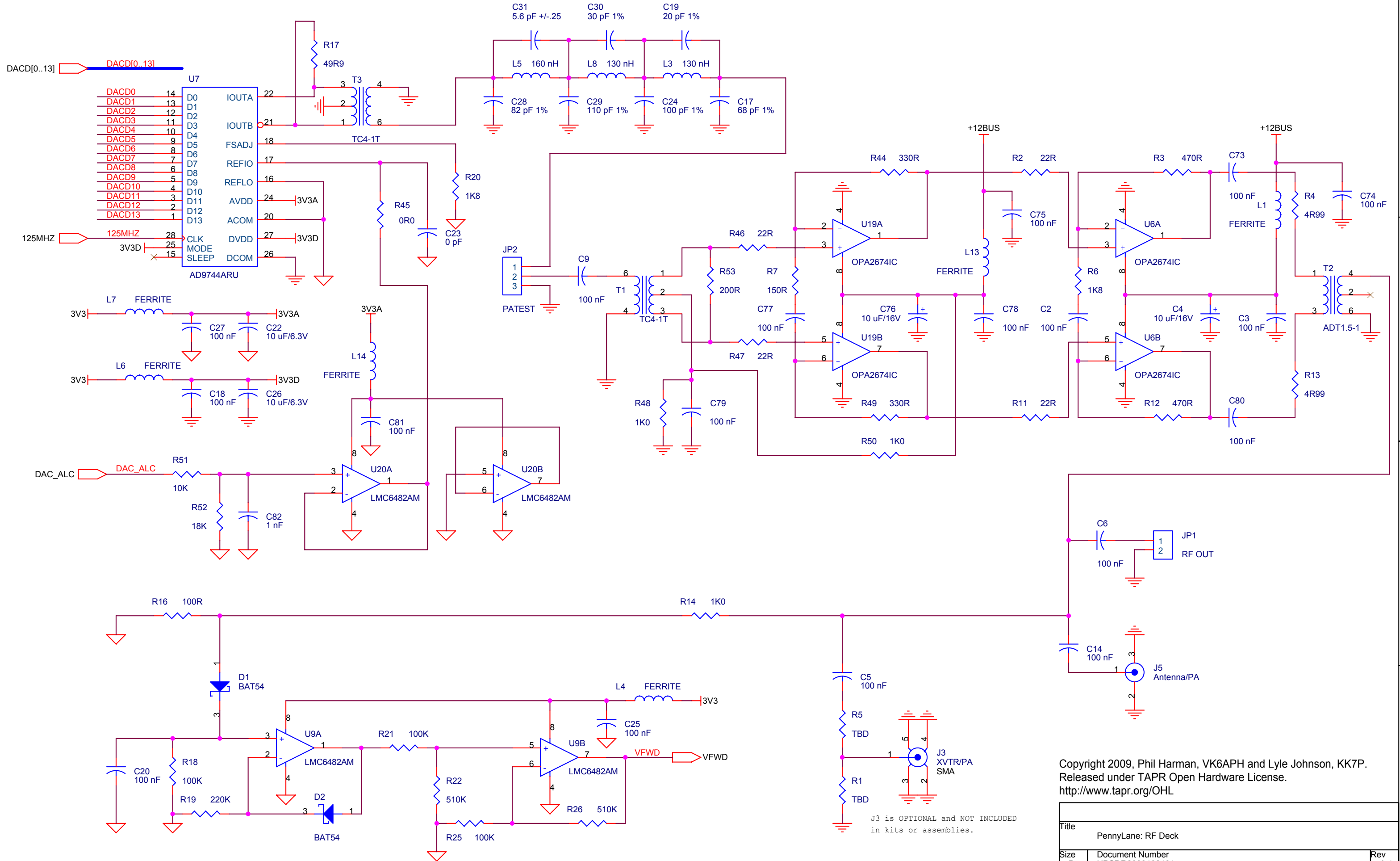
Copyright 2009, Phil Harman, VK6APH and Lyle Johnson, KK7P.  
 Released under TAPR Open Hardware License.  
<http://www.tapr.org/OHL>

Title		
PennyLane: CODEC		
Size	Document Number	Rev
B	HPSDR2009102401	A.1
Date:	Saturday, October 24, 2009	Sheet 3 of 5



Copyright 2009, Phil Harman, VK6APH and Lyle Johnson, KK7P.  
Released under TAPR Open Hardware License.  
<http://www.tapr.org/OHL>

Title		
PennyLane: FPGA		
Size	Document Number	Rev
C	HPSDR2009102401	A.1
Date:	Saturday, October 24, 2009	Sheet 4 of 5



Copyright 2009, Phil Harman, VK6APH and Lyle Johnson, KK7P.  
 Released under TAPR Open Hardware License.  
<http://www.tapr.org/OHL>

Title		
PennyLane: RF Deck		
Size	Document Number	Rev
B	HPSDR2009102401	A.1
Date:	Saturday, October 24, 2009	Sheet 5 of 5

J3 is OPTIONAL and NOT INCLUDED  
 in kits or assemblies.