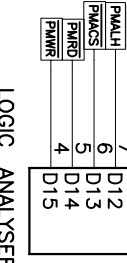
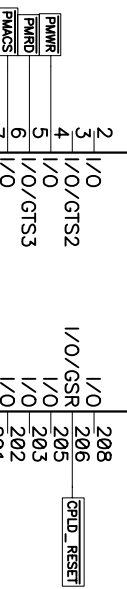
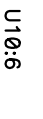
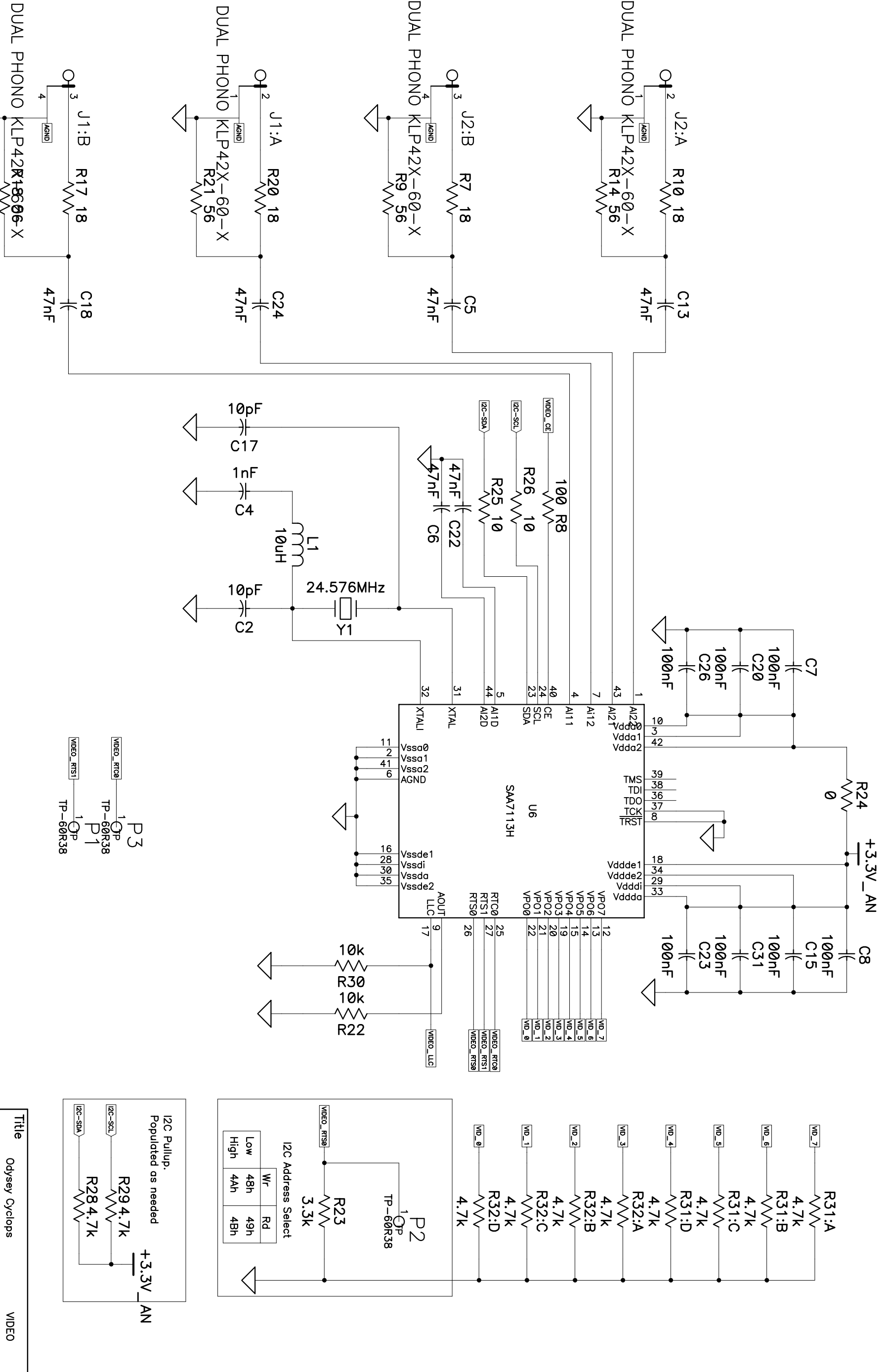


XC2C384-208



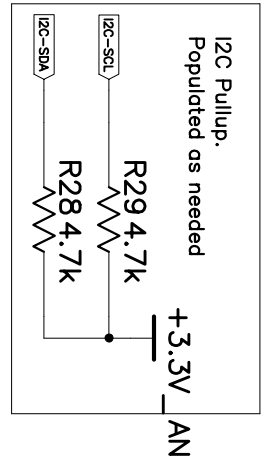


I2C Address Select

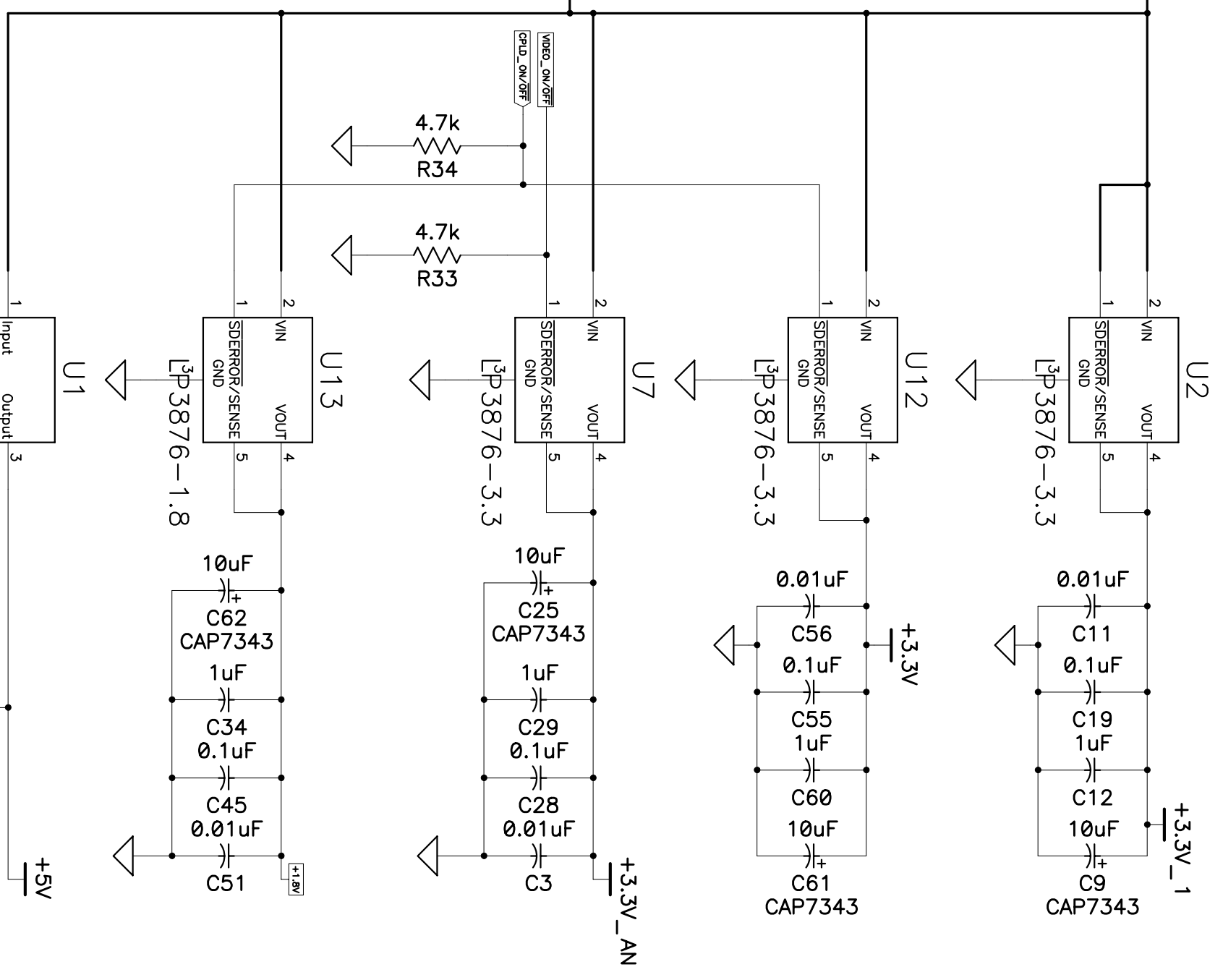
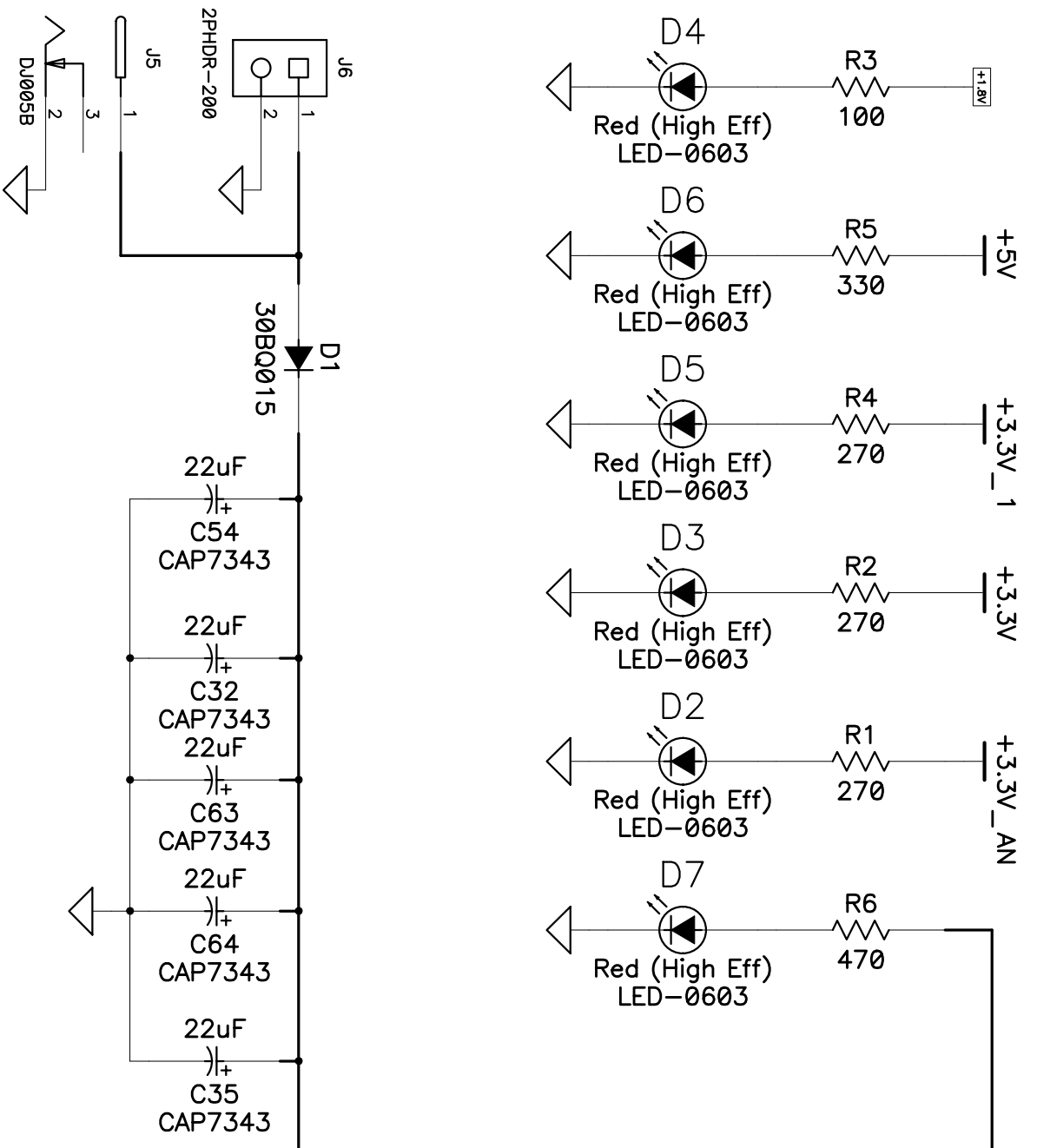
Wf	Rd
Low	48h
High	4Ah

Populated as needed

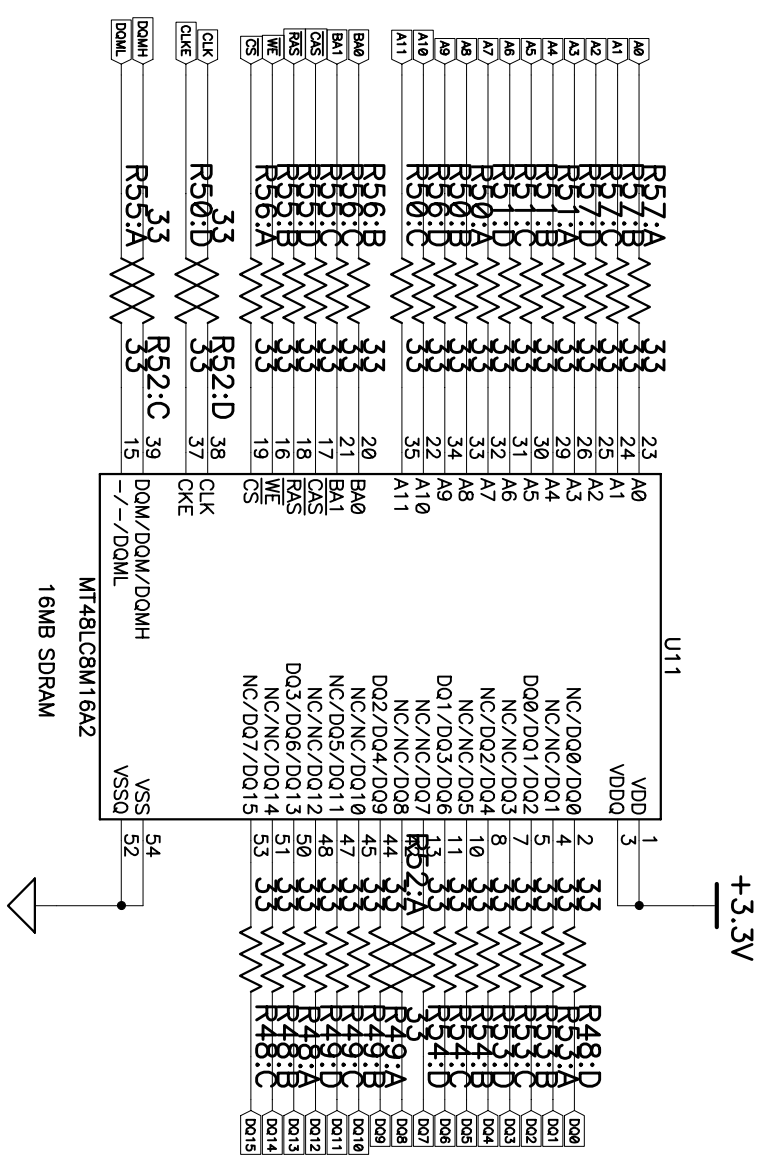
I2C Pullup.



Title	Odyssey Cyclops	VIDEO
Size	Number	Rev
B		1
Date	Wed Dec 06, 2006	Drawn by JHU
Filename	odyssey ihu.sch	Sheet 2 of 6

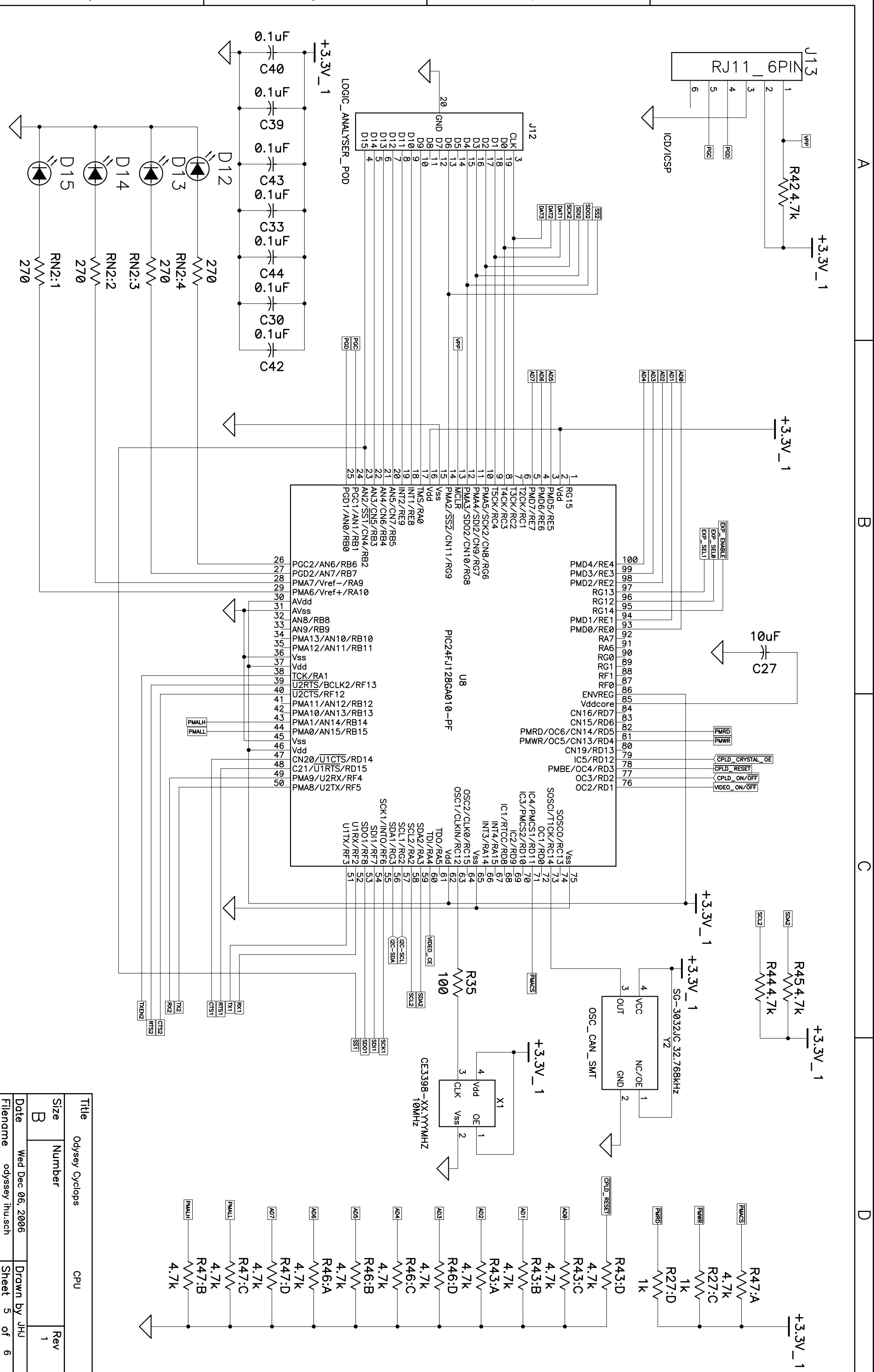


Title	Odyssey Cyclops	POWER
Size	Number	Rev
Date	Wed Dec 06, 2006	Drawn by JHU
Filename	odyssey ihu.sch	Sheet 3 of 6

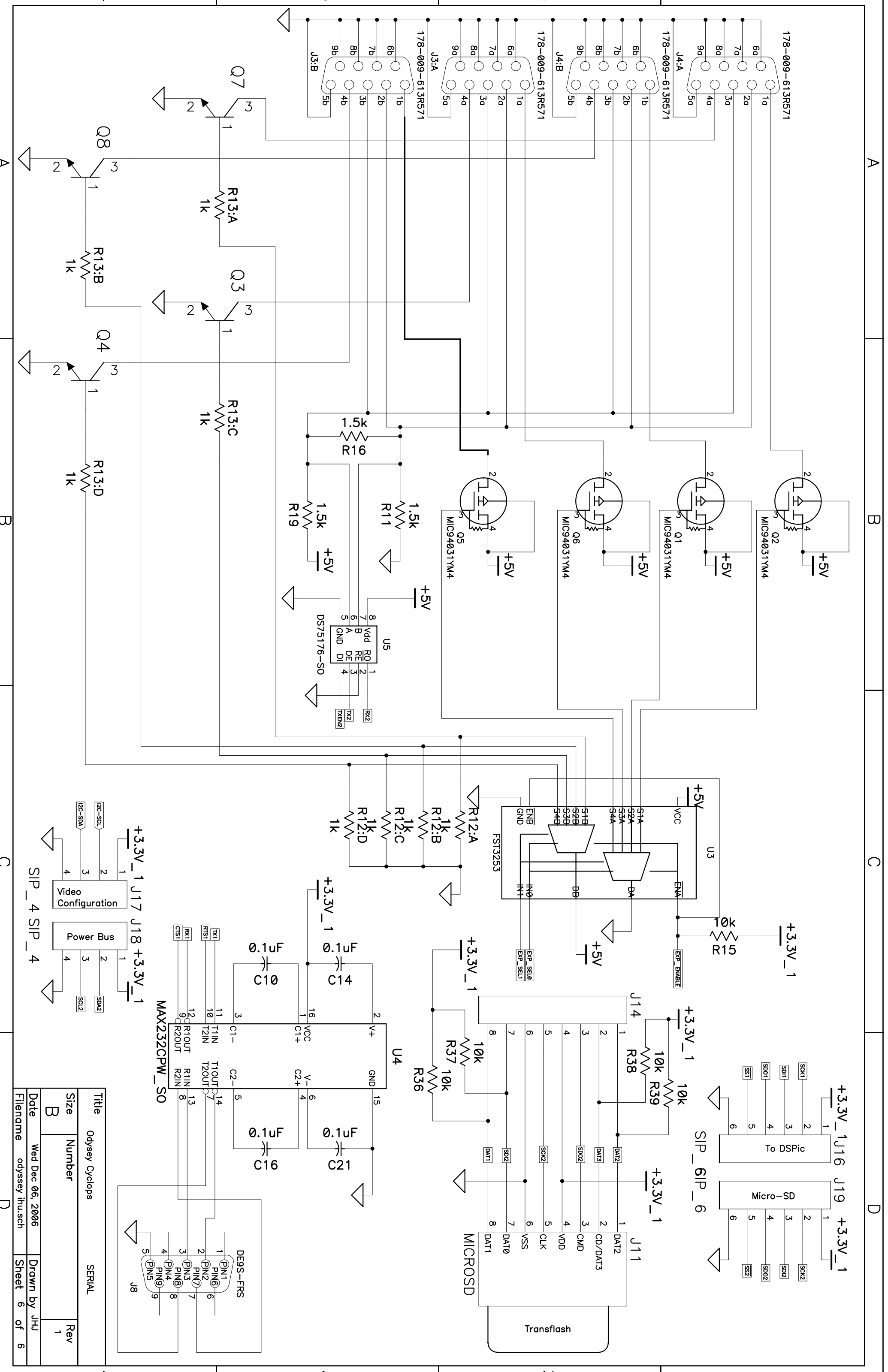


33 ~~~~ R52:B
 33 ~~~~ R54:A

Title	Odyssey Cyclops		DRAM
Size	Number	Rev	
B		1	
Date	Wed Dec 06, 2006	Drawn by	JHU
Filename	odyssey_ihu.sch	Sheet	4 of 6



Title		Odyssey Cycllops		CPU	
Size	Number				
Date	Wed Dec 06, 2006	Drawn by JHU			
Filename	odyssey ihu.sch	Sheet 5 of 6			



Title		SERIAL	
Odyssey Cycles			
Size	Number	Rev	
B		1	
Date	Wed Dec 06, 2006	Drawn by	JHU
Filename	odyssey ihu.sch	Sheet	6 of 6