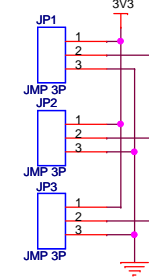
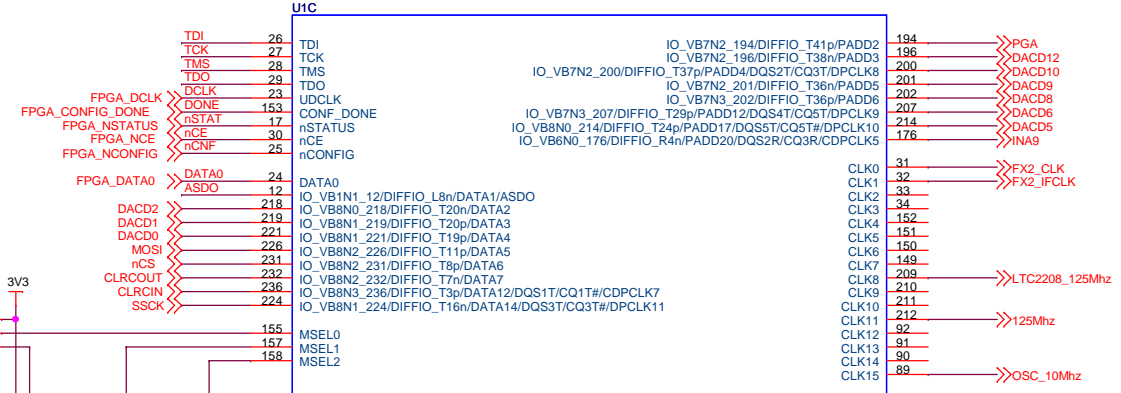
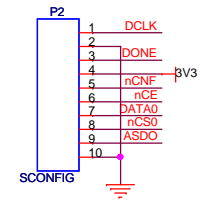
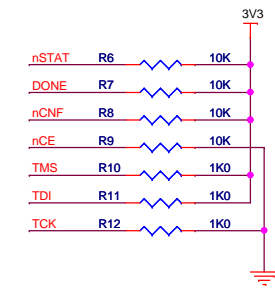
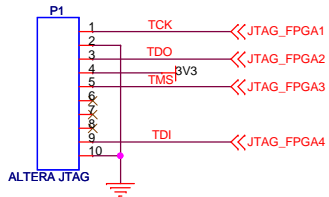
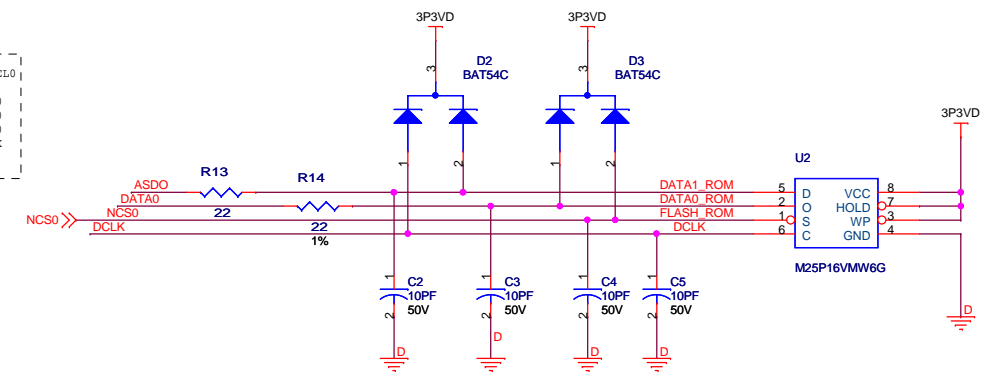


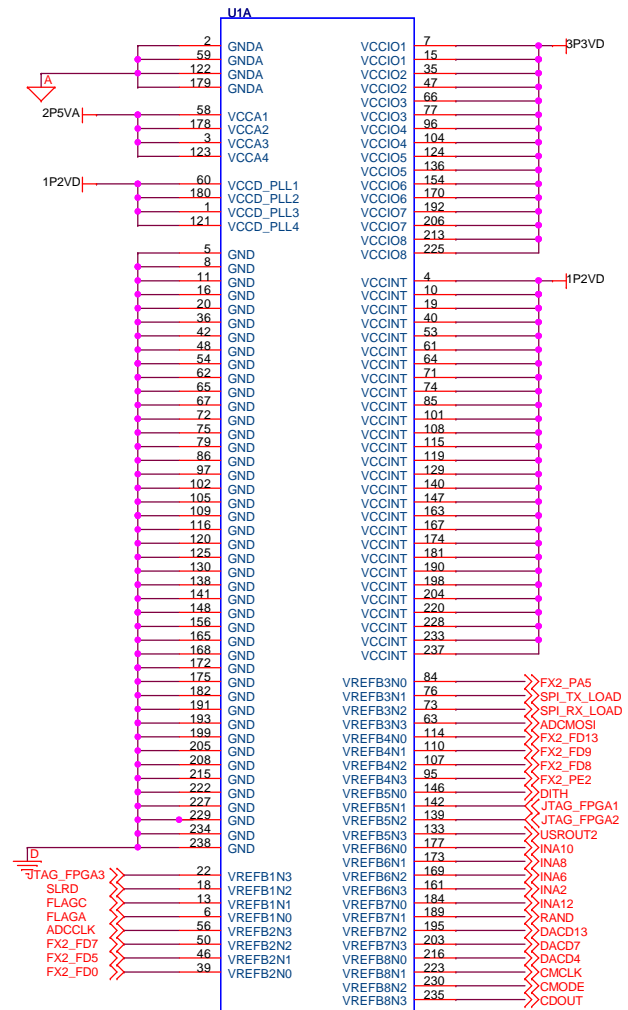
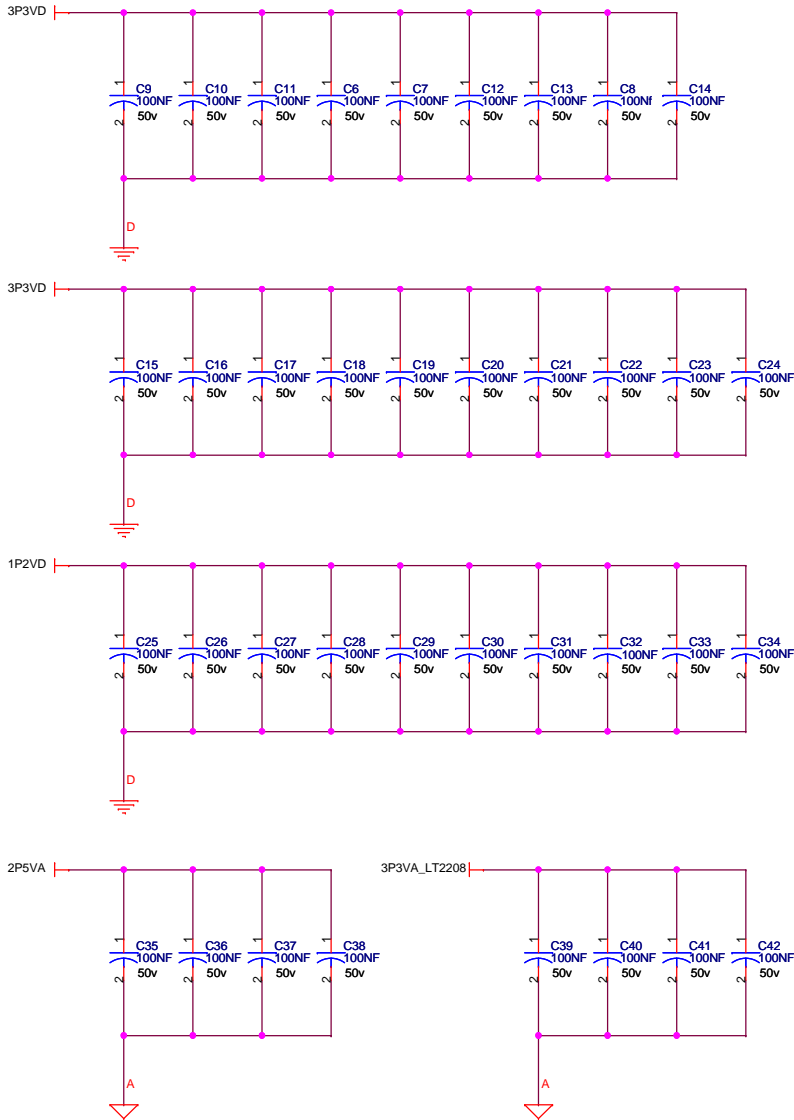
ALTERA EP3C40Q240  
Version = 1.0



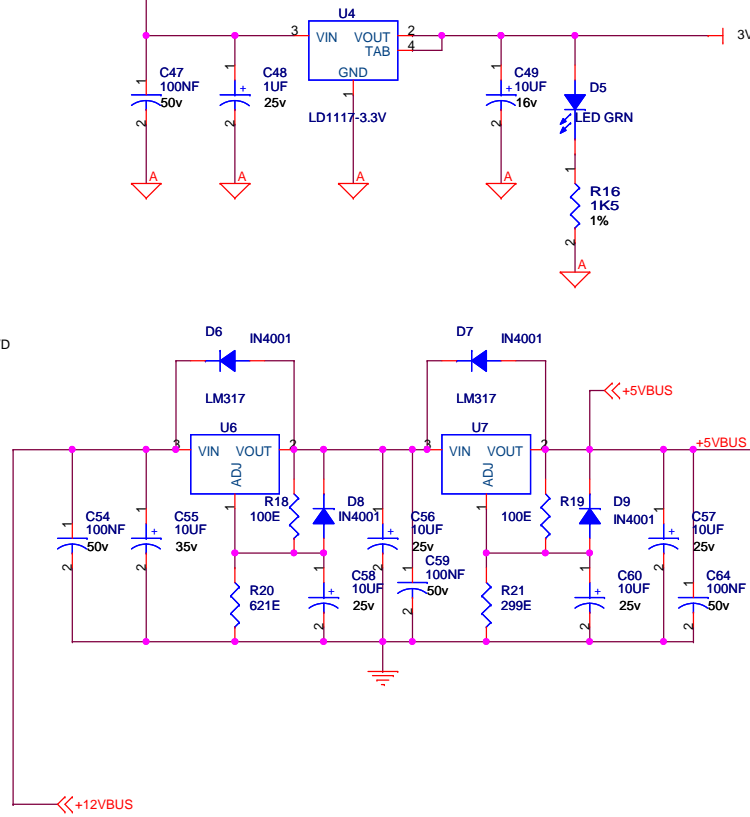
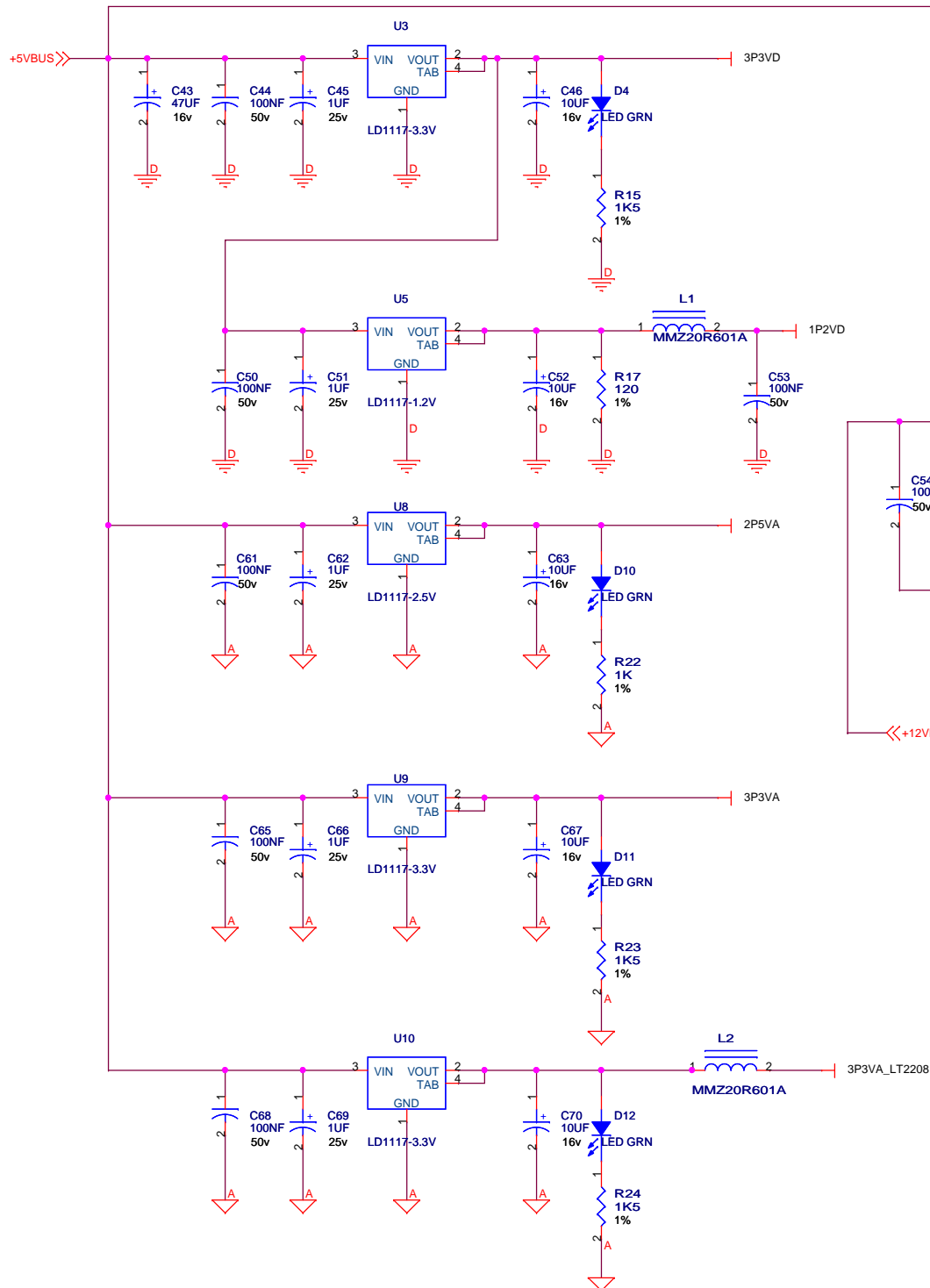
	MSEL2	MSEL1	MSEL0
AS	0	1	0
PS	1	0	0
FPP	1	1	0
JTAG	X	X	X

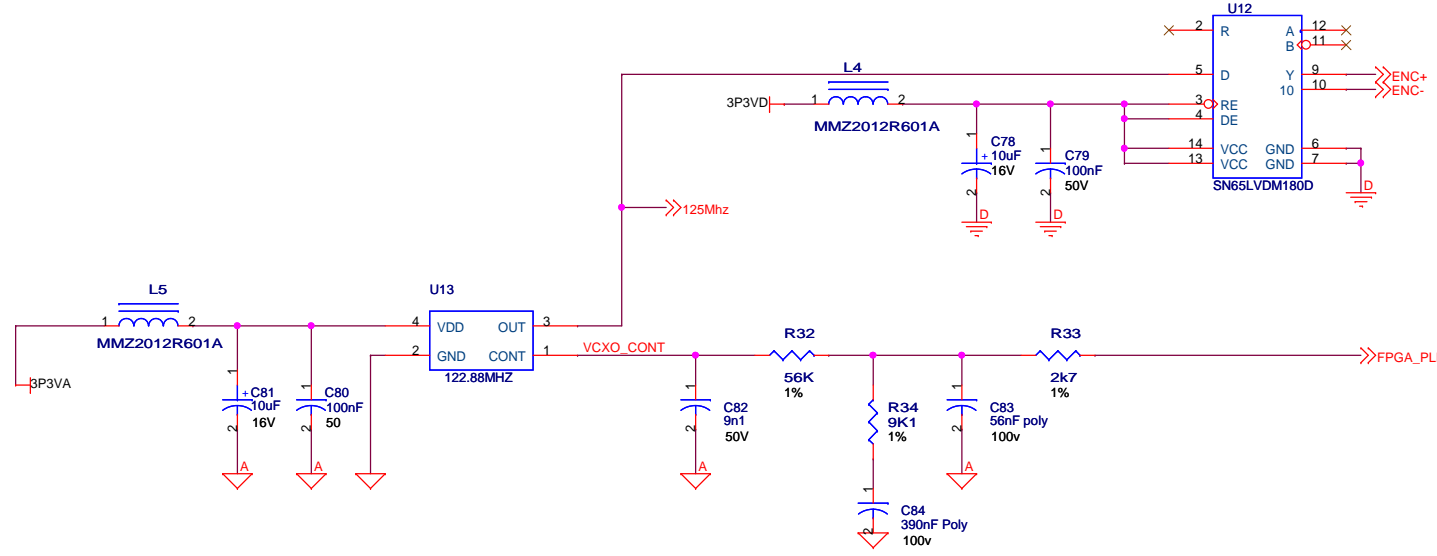
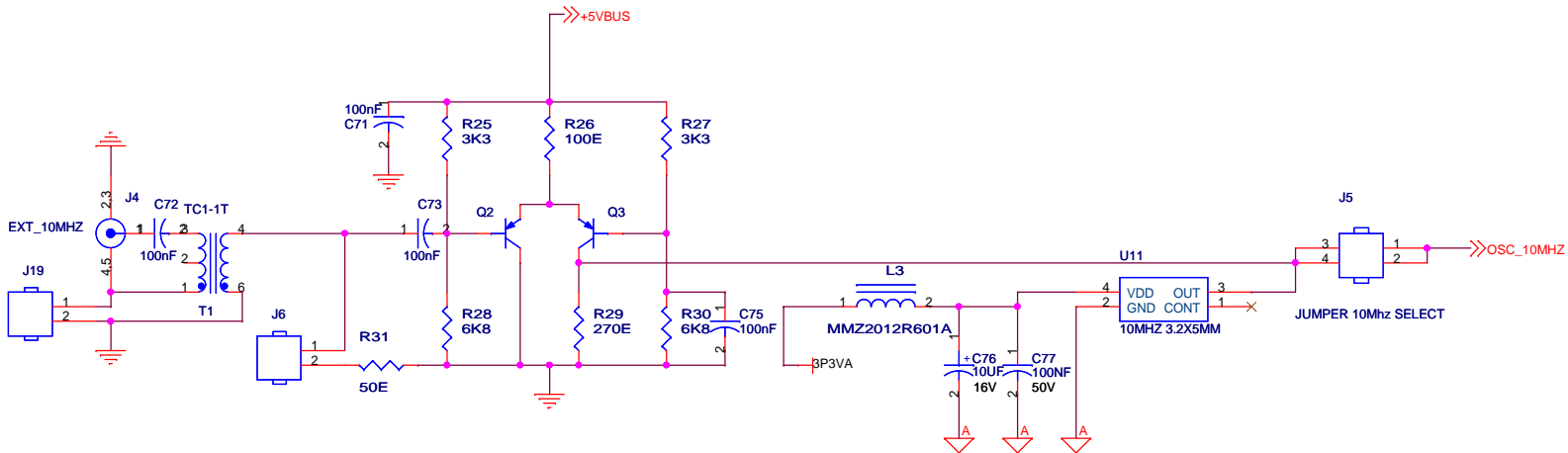


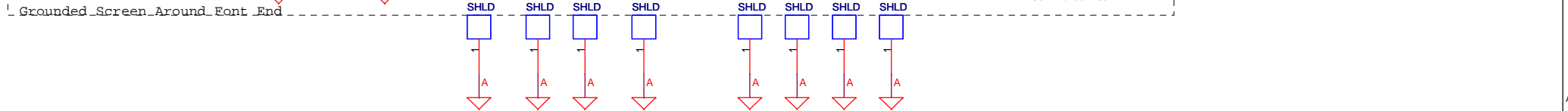
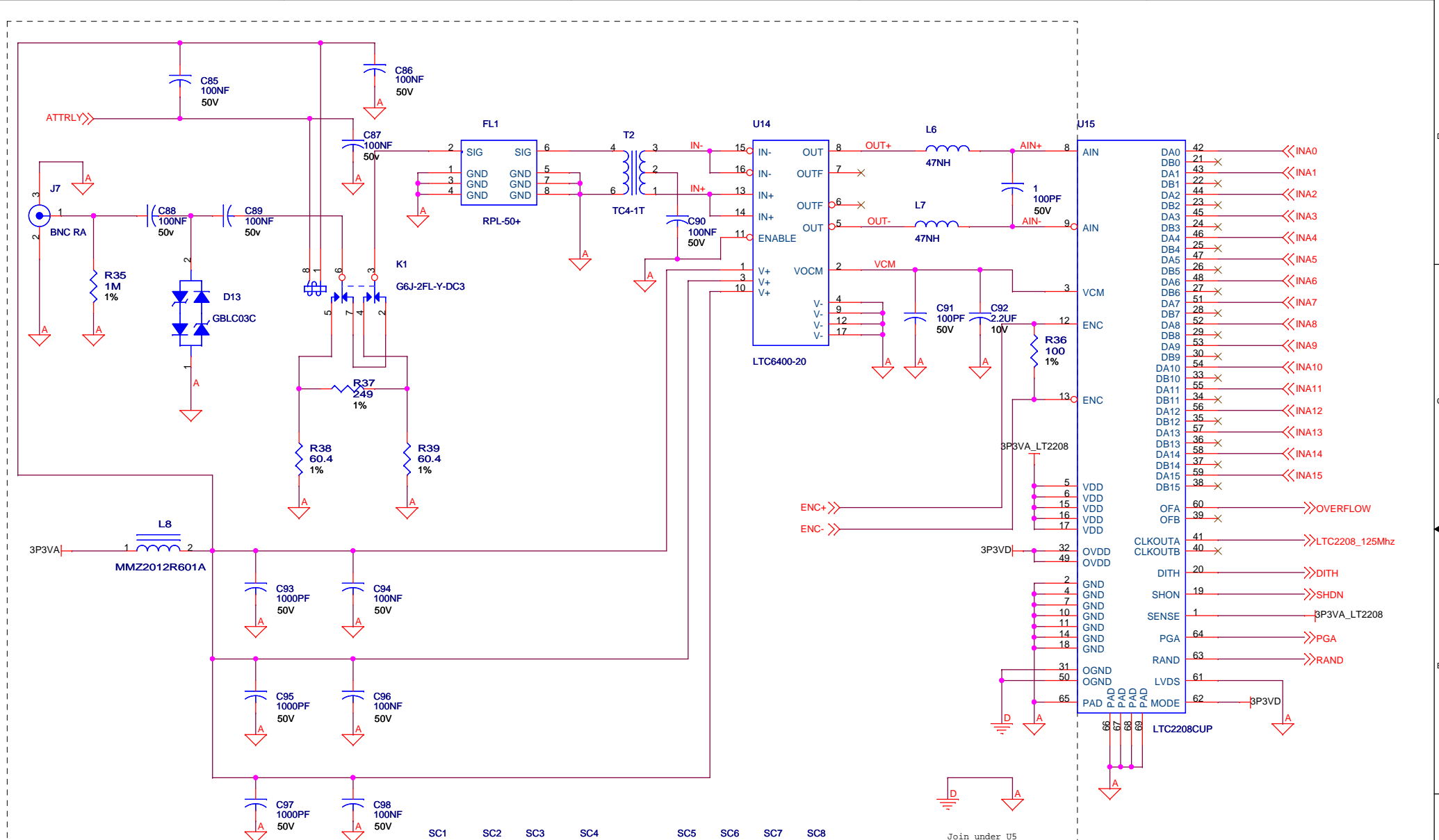
HPSPDR  
 Copyright 2009 - Kevin Wheatley M0KHZ, Phil Harman VK6APH and Anthony Taylor  
 Title: Hermes: FPGA Config  
 Derived from the work of the HPSPDR community.  
 Released under TAPR Non-commercial Hardware License. <http://www.tapr.org/MCL>  
 Size: B Document Number: Rev A5  
 Date: Friday, September 11, 2009 Sheet 2 of 9



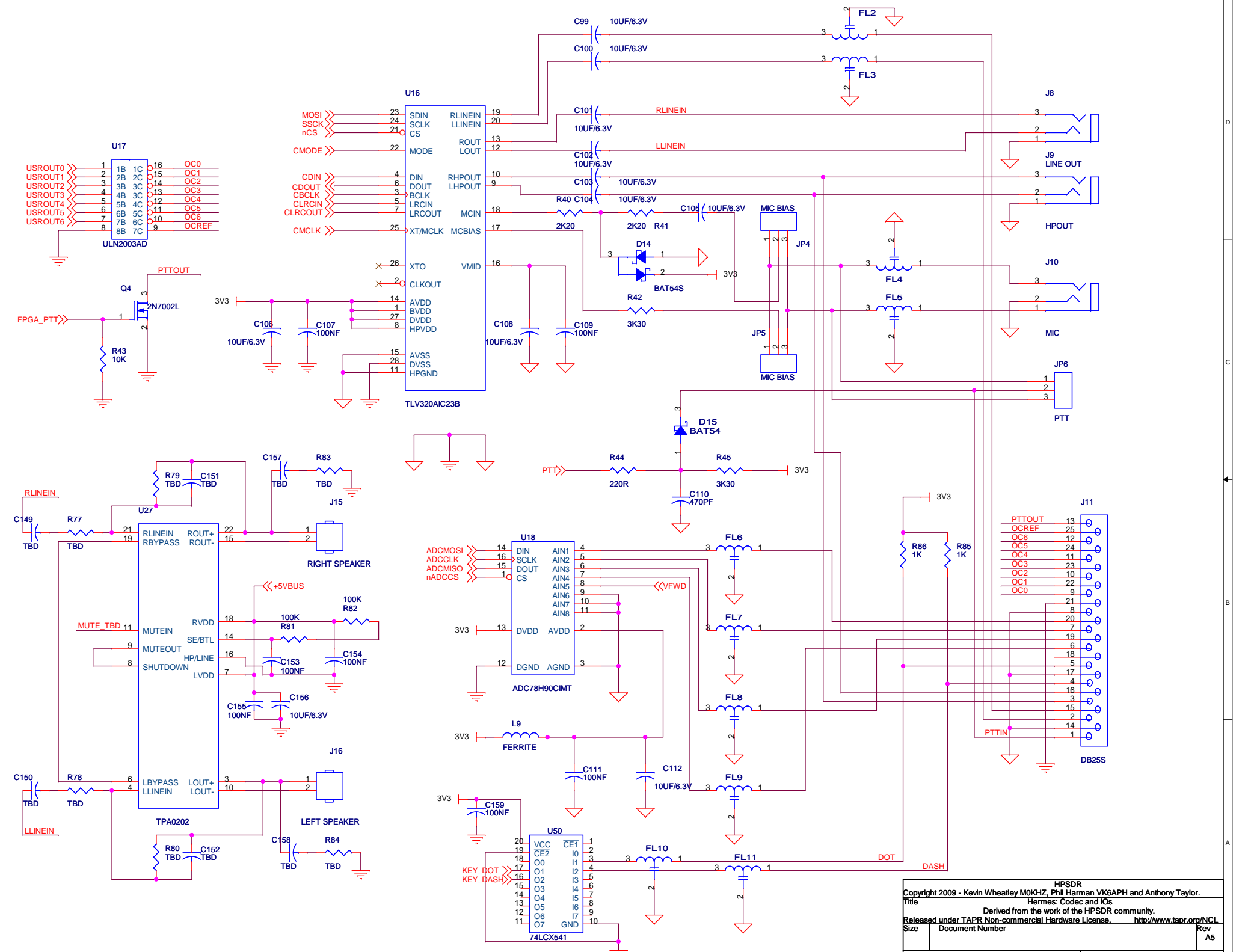
HPSDR		
Copyright 2009 - Kevin Wheatley M0KHZ, Phil Harman VK6APH and Anthony Taylor		
Title	Hermes: FPGA Power	
Derived from the work of the HPSDR community.		
Released under TAPR Non-commercial Hardware License.		<a href="http://www.tapr.org/MCL">http://www.tapr.org/MCL</a>
Size	Document Number	Rev A5
Date:	Friday, September 11, 2009	Sheet 3 of 9

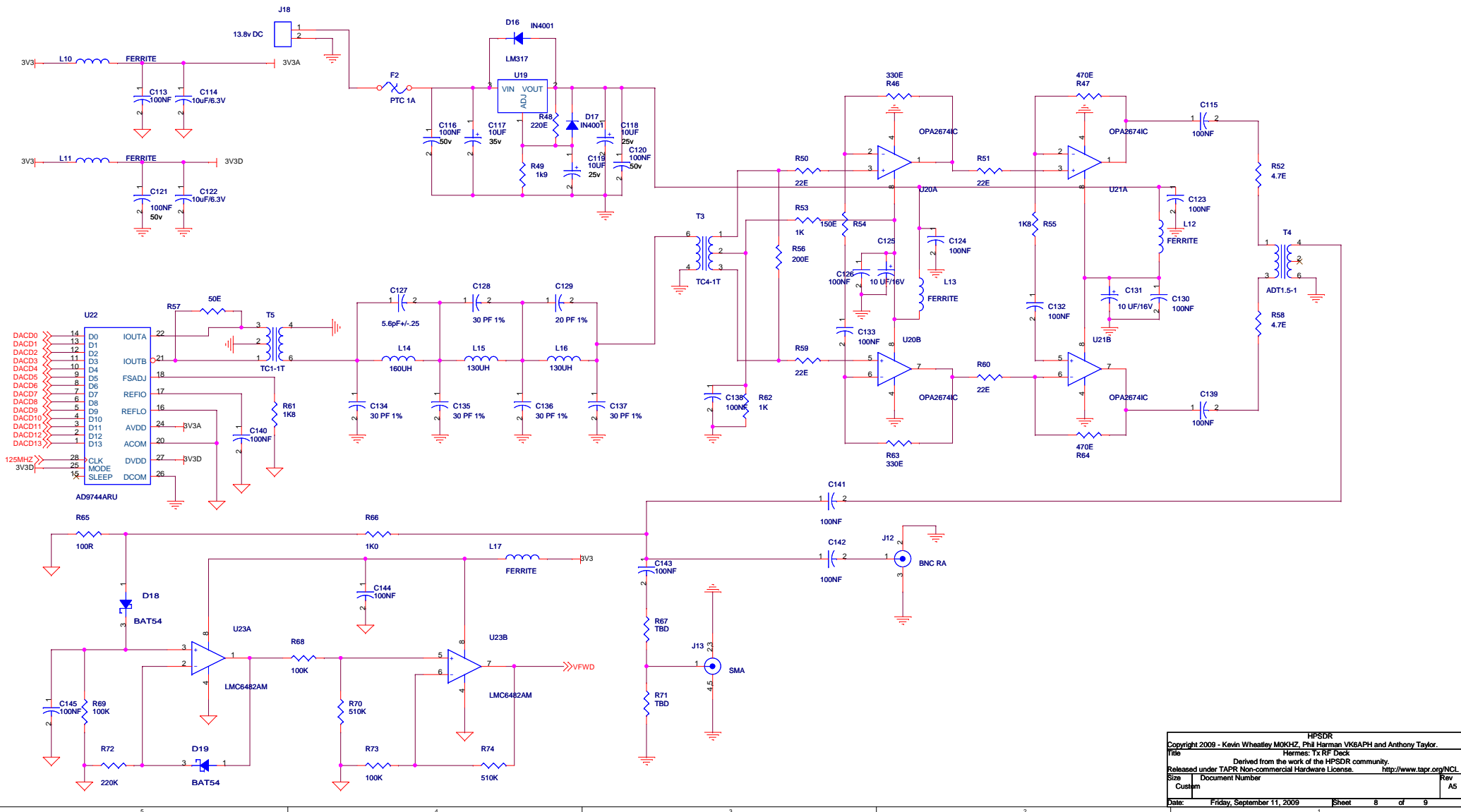






HPSDR  
 Copyright 2009 - Kevin Wheatley M0KHZ, Phil Haman VK6APH and Anthony Taylor.  
 Title: Hermes: Receiver Front End  
 Derived from the work of the HPSDR community.  
 Released under TAPR Non-commercial Hardware License. <http://www.tapr.org/NCL>  
 Size: Document Number Rev A5  
 Date: Friday, September 11, 2009 Sheet 6 of 9





HPSDR  
 Copyright 2009 - Kevin Wheatley M0KHZ, Phil Harman VK6APH and Anthony Taylor.  
 File Hermes: TX RF Deck  
 Released under TAPR Non-commercial Hardware License. <http://www.tapr.org/NCL>  
 Size 1 Document Number Rev A5  
 Date: Friday, September 11, 2009 Sheet 8 of 9



