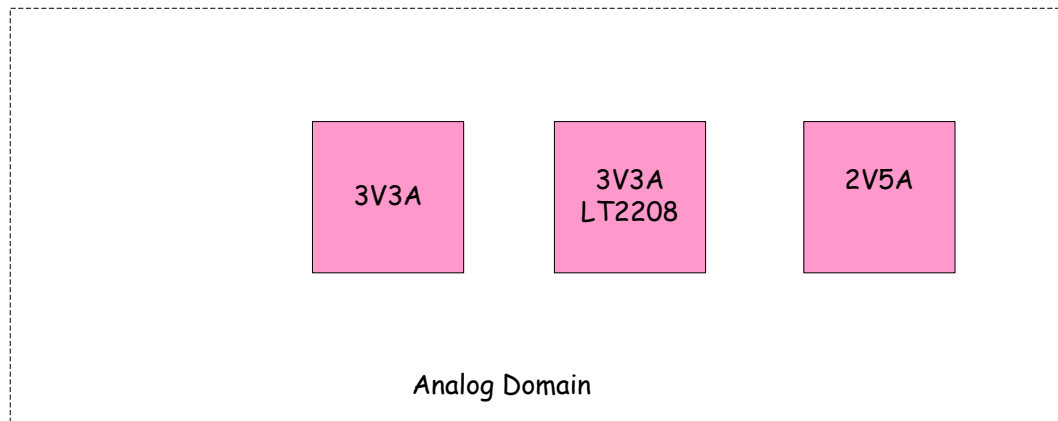
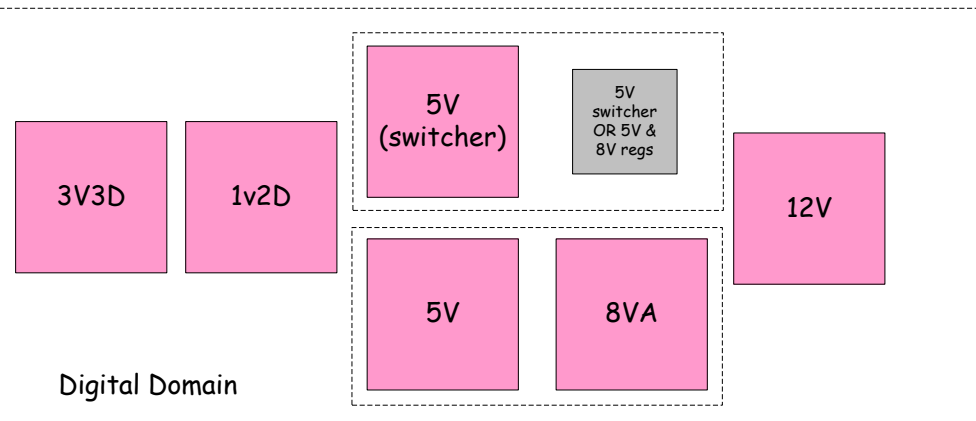
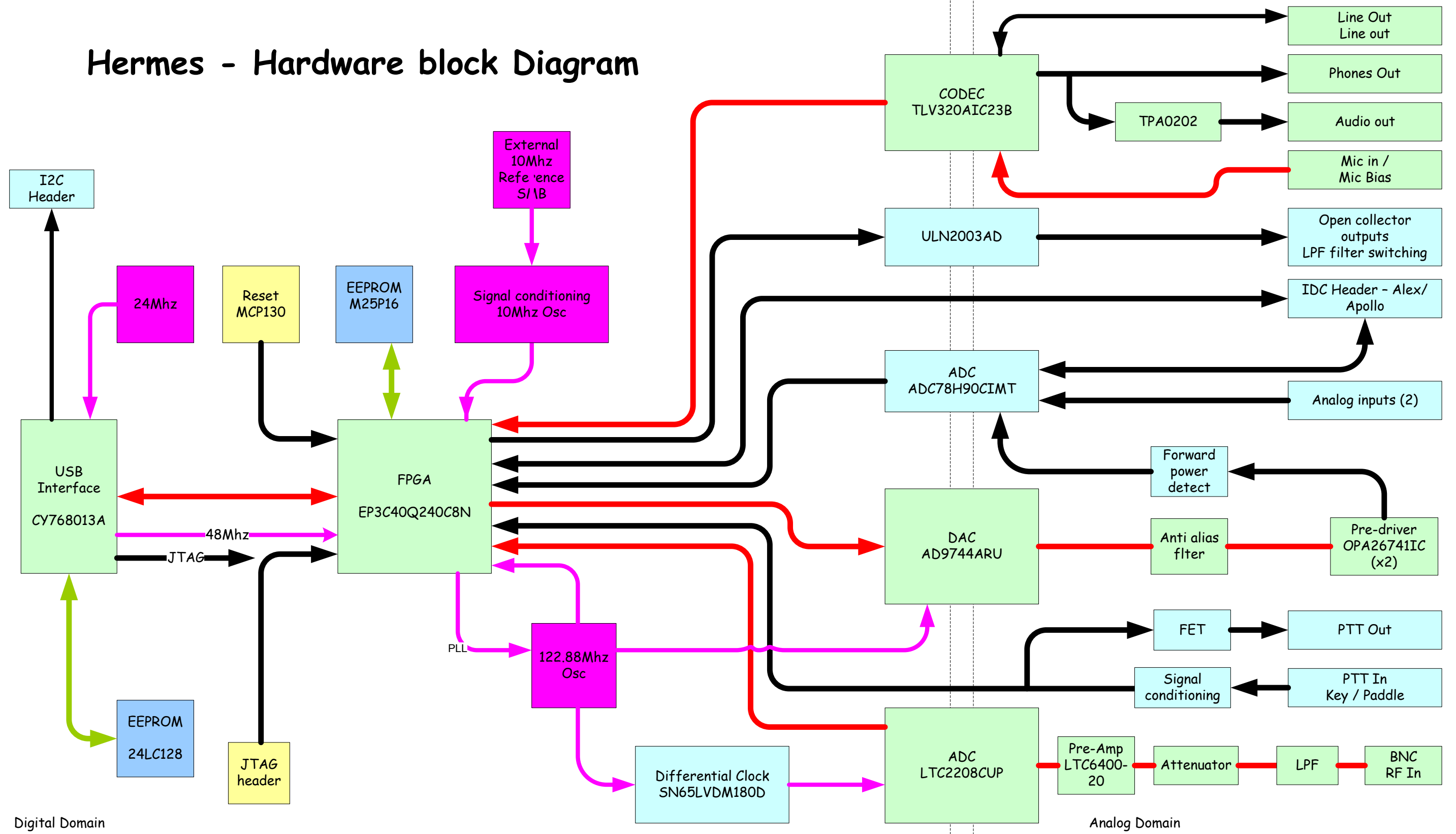


Hermes - Hardware block Diagram



Hermes
a DDC and DUC
transceiver



Copyright 2009 Kevin Wheatley M0KHZ
Released under TAPR noncommercial Hardware licence
<http://www.tapr.org/ncl>

Version : 1.7